

1.2 to 3.8GHz – Surface Mount Isolator

Design Features

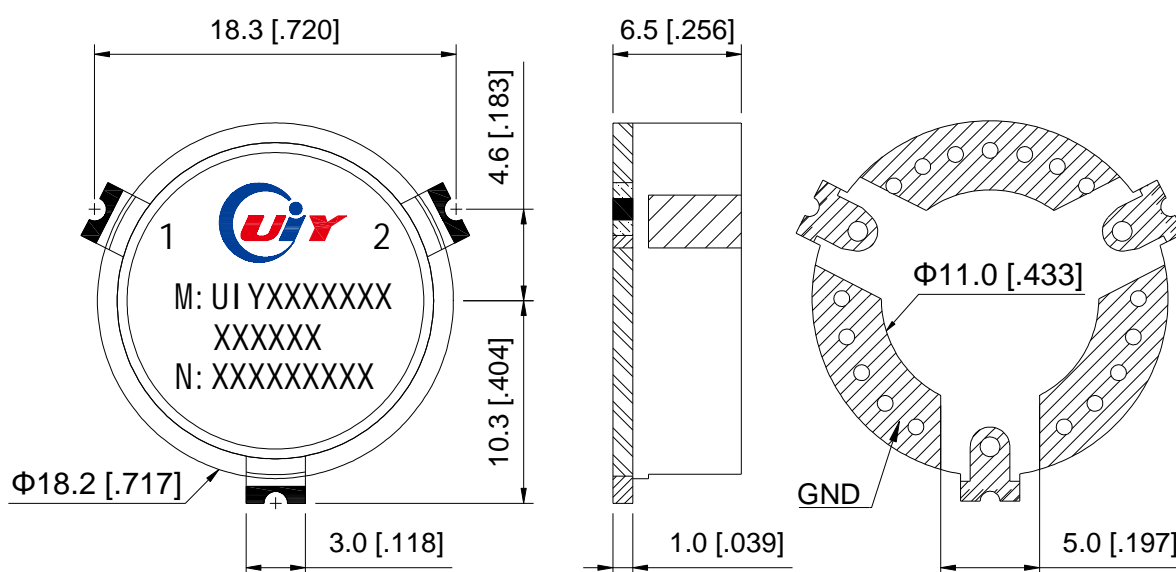
- ◆ High RF performance, ultra-competitive price.
- ◆ Military, space and commercial applications.
- ◆ Custom design available upon request.
- ◆ Guaranteed for one year standard.

RF Characteristics

| Model Number | Freq. Range (MHz) | Insertion Loss Max(dB) | Isolation Min(dB) | VSWR Max | Forward Power(W) | Reverse Power(W) | Connector Type | Temp.(°C) |
|--------------------|-------------------|------------------------|-------------------|----------|------------------|------------------|----------------|-----------|
| UIYSI18A1200T1300 | 1200 ~ 1300 | 0.4 | 20 | 1.25 | 60 | 5 | SMT | -10 ~ +70 |
| UIYSI18A1295T1305 | 1295 ~ 1305 | 0.3 | 23 | 1.2 | 60 | 5 | SMT | -30 ~ +70 |
| UIYSI18A1710T1785 | 1710 ~ 1785 | 0.3 | 23 | 1.2 | 60 | 5 | SMT | -30 ~ +70 |
| UIYSI18A1805T11880 | 1805 ~ 1880 | 0.3 | 23 | 1.2 | 60 | 5 | SMT | -30 ~ +70 |
| UIYSI18A1920T1990 | 1920 ~ 1990 | 0.3 | 23 | 1.2 | 60 | 5 | SMT | -30 ~ +70 |
| UIYSI18A2110T2170 | 2110 ~ 2170 | 0.3 | 23 | 1.2 | 60 | 5 | SMT | -30 ~ +70 |
| UIYSI18A2200T2300 | 2200 ~ 2300 | 0.35 | 23 | 1.2 | 60 | 5 | SMT | -30 ~ +70 |
| UIYSI18A2300T2700 | 2300 ~ 2700 | 0.4 | 20 | 1.25 | 60 | 5 | SMT | -30 ~ +70 |
| UIYSI18A2400T2500 | 2400 ~ 2500 | 0.35 | 23 | 1.2 | 60 | 5 | SMT | -30 ~ +70 |
| UIYSI18A2500T2700 | 2500 ~ 2700 | 0.35 | 21 | 1.2 | 60 | 5 | SMT | -30 ~ +70 |
| UIYSI18A3400T3600 | 3400 ~ 3600 | 0.35 | 21 | 1.2 | 60 | 5 | SMT | -30 ~ +70 |
| UIYSI18A3600T3800 | 3600 ~ 3800 | 0.35 | 21 | 1.2 | 60 | 5 | SMT | -30 ~ +70 |

² List are specify frequency range and other ranges available.
² Please enter below information when inquiry and mark * is must.
 * 1. The specific frequency range
 * 2. Power handling (Forward, Reverse, Peak, etc.)
 3. Other special request if have (Insertion Loss, Isolation, VSWR, Temperature, Dimension, etc.)

Mechanical Drawing



Unit: mm/ inch, General part tolerance is ± 0.2 mm unless otherwise stated.

Ver. 5

A2-5G, Zhujiang Plaza, Longxiang Blvd, Longgang District, Shenzhen 518172, China.

Tel: +86-755-25999990 25999909 Fax: +86-755-25999959 E-mail: sales@uiy.com Web: www.uiy.com