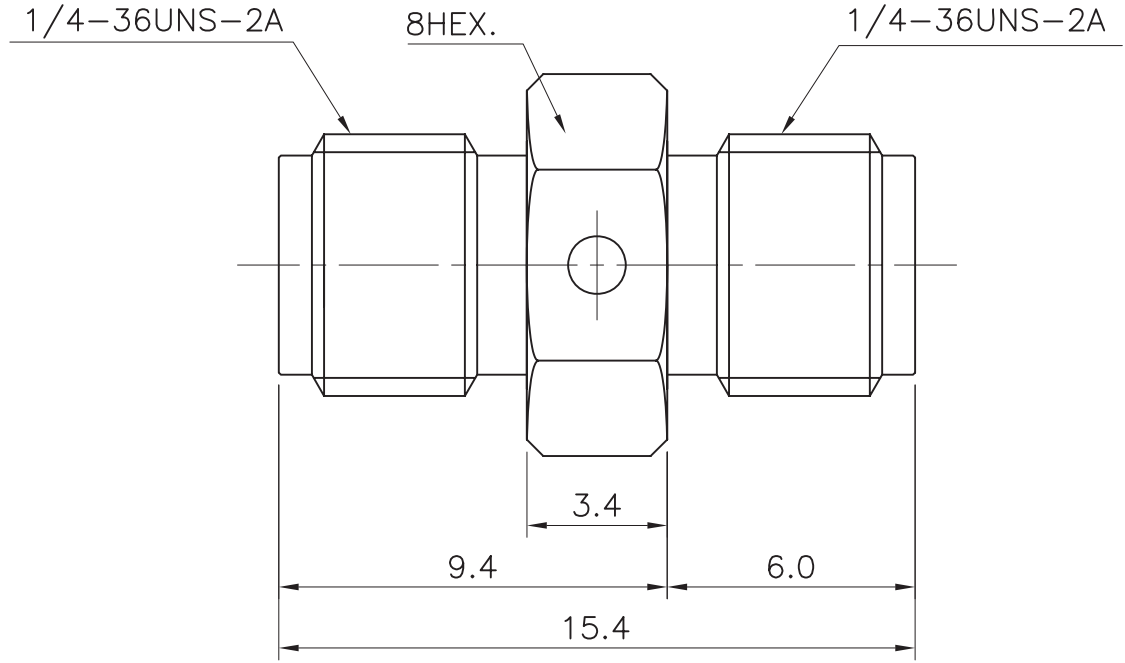


4	No.	Revision	5	Date	6	Name
	△					
	△					



SMA JACK to JACK-ADAPTOR

Item	Materials	Plating
Body	BRASS	Gold Plated
Center contact	Be-Cu	Gold Plated
Insulator	PTFE	-

CUSTOMER

NO.	DESCRIPTION	Q'TY	MATERIAL	FINISH	REMARKS.
PARTS No.	1S-803-00		NAME	SMA/J to J-ADAPTOR	APPROVED
MATERIAL	FINISH	TOLERANCES OTHERWISE SPEC. ±0.05		ANGLES ±1°	CHECKED
SCALE	N/S	UNIT	mm		DESIGNED S.J.LEE
DWG NO.	1S-803-00			DATE.	15/DEC/2008

Cross RF
web: www.crossrf.com