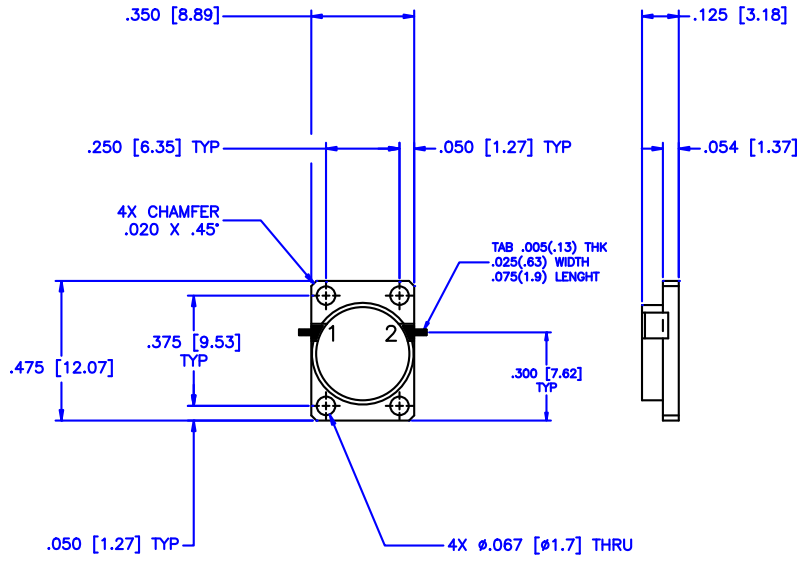


REVISIONS				
ZONE	REV	DESCRIPTION	DATE	APPROVED



SPECIFICATIONS

- Frequency Range: 9.8–10.2 GHz
- Insertion Loss: 0.5dB Max.
- Isolation: 17dB Min.
- VSWR: 1.35:1 Max.
- Impedance Nominal: 50 Ohms
- Power Rating: 2 Watts
- Operating Temperature: -40°C to +85°C
- Storage Temperature: -55°C to +100°C

MATERIAL:			MICROWAVE COMMUNICATIONS LABORATORIES INC. 7255 30TH AVE. N. SAINT PETERSBURG, FL 33710 TEL: (727) 344-6254 FAX: (727) 381-6116 http://WWW.MCLI.COM		SCALE:	N/A
			UNLESS OTHERWISE SPECIFIED: TOLERANCES IN (INCHES) OR [mm] (MILLIMETERS) FRACTIONS: ± 1/64 DECIMALS: ±.01 ±.005 ANGLE: ±1/2°		DRAWING TITLE:	
DRAWN:		DATE:		PART NO.:		DI-52
Paiboon Luekhamhan 01-05-2005		T. Nguyen 01-05-2005		CAGE CODE:		OD2L5
APPROVED:		DATE:		SIZE:		N/A
T. Nguyen 01-05-2005		THIRD ANGLE PROJECTION 		REV:		N/A
				DWG NO.:		82159
				DO NOT SCALE THE DRAWING		