



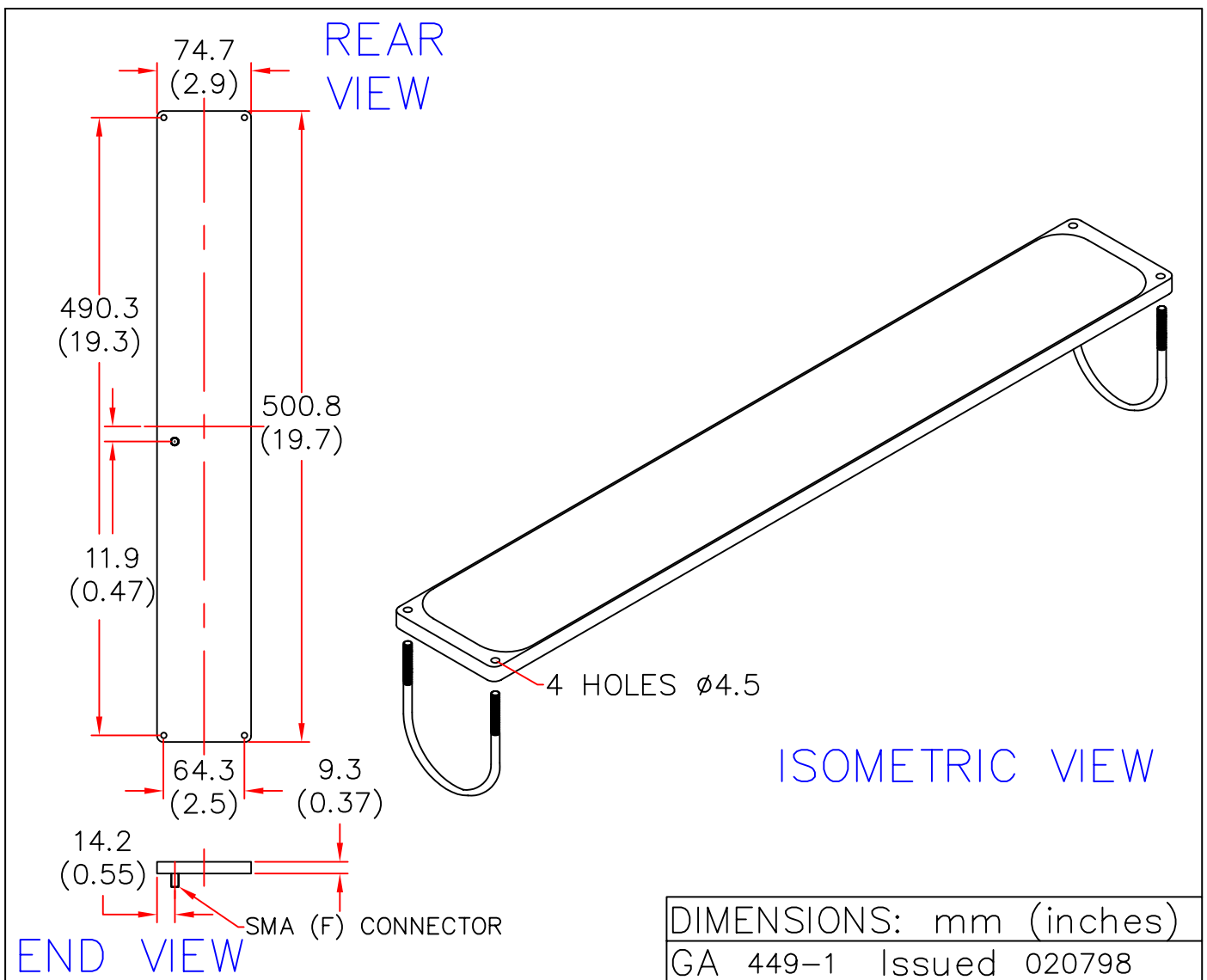
EUROPEAN ANTENNAS



SECTOR ANTENNA

MODEL: SA17-55H/449

FREQUENCY: 5.25 - 5.85 GHz	GAIN: 17dBi
POLARISATION: Linear (Horizontal)	BEAMWIDTH: 55° x 7°
CROSS POLAR: 20dB	VSWR: 1.5:1
POWER RATING: 10W	FRONT TO BACK: 30dB
TEMPERATURE: -20°C to +50°C	MASS: 643g/1.4lbs
RADOME: Glass Fibre Gloss White	WIND LOADING: 6.07Kg/13.35lbs @ 100mph



EUROPEAN ANTENNAS LTD.

TEL: +44 (0)1638 731888

LAMBDA HOUSE, CHEVELEY,
NEWMARKET, SUFFOLK, CB8 9RG,
UNITED KINGDOM.

FAX: +44 (0)1638 731999

European Antennas Ltd. has a policy of continuous development and therefore stress that the data contained on this sheet should be used for guidance only.