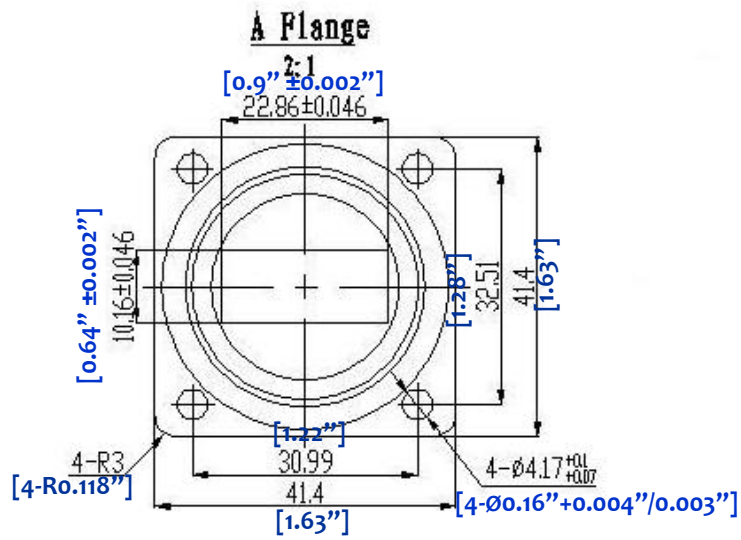



WAVEGUIDE WR90 HIGH DIRECTIVITY COUPLER -RWGCP90SC



3.0	Electrical Specifications	
3.1	Frequency Range	8.6~9.5GHz
3.2	Coupling	60 ± 0.5dB
3.3	Directivity	30dB min
3.4	VSWR	1.07
3.5	Insertion Loss	0.2dB max.
3.6	Average Power	2000W

1.0	Mechanical Specifications	
1.1	Waveguide type	Rectangular WR90
1.2	Flange type	CPRG, CPRF, COVER, CHOKE available
1.3	Flange Holes	Through
1.4	Basis-material	Alloyed Cuprum
1.5	Internal Body Finish	Plated chromate or conversion
1.6	External Body Finish	Body painted with gray/black epoxy enamel

2.0	Environment specifications	
2.1	Operation Temp.	-40°C~+85°C
2.2	Storage Temp.	-60°C~+125°C
2.3	Altitude	45000 ft
2.4	Vibration	10g rms (15 degree 2KHz)
2.5	Humidity	100% RH at 35c, 95%RH at 40 deg c
2.6	Shock	20G for 11msc

PAGE	OF	DATE	Jul 9 th 2008
 RWGCP90SC WAVEGUIDE COUPLER		DESIGN	RFPC
		RF-LAMBDA	RFPC
		CAD MODEL REVISION	1-4
		ASSEMBLY REVISION	VS20-3
		ASSEMBLY NAME	RFLVR04
		DRAWING NUMBER	D02-5
www.rflambda.com		SIZE	SHEETS
RF-LAMBDA		LT	1 OF 1