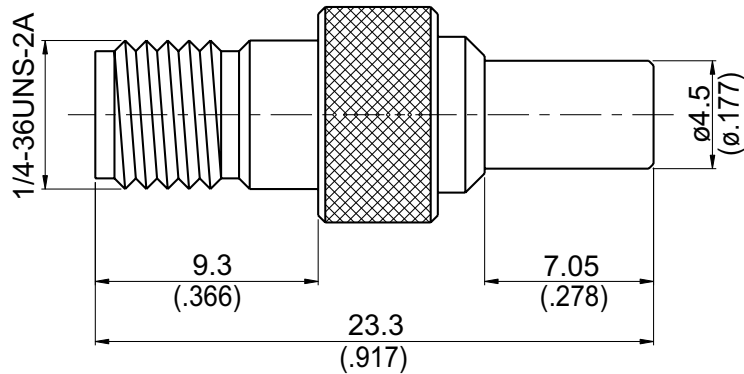


AD-A8D8

SMA Jack To MCX Jack

50Ω



Typical VSWR

Part Number	1 GHz	2~5 GHz	6 GHz
AD-A8D8	1.06	1.07	1.29

Parts	Material	Plating (Micro-inch)
Contact Pin	Beryllium Copper	Gold 10 Over Nickel 50 Over Copper 50
Insulator	Teflon	
Body	Brass	Gold 5 Over Nickel 50 Over Copper 50

Weight: 4.1 g

This part number complies with RoHS.

Notice: JYEBAO reserves the right to make modifications deemed appropriate.