



50 Ohm SMA Female to 75 Ohm F Female Adapter

TECHNICAL DATA SHEET

PE91002

**50 Ohm SMA Female to 75 Ohm F Female Adapter**

**Configuration**

|                |            |
|----------------|------------|
| Connector 1    | SMA Female |
| Impedance 1    | 50 Ohms    |
| Connector 2    | F Female   |
| Impedance 2    | 75 Ohms    |
| Adapter Design | Standard   |
| Body Style     | Straight   |

**Mechanical Specifications**

**Size**

|                     |               |
|---------------------|---------------|
| Length, in [mm]     | 1.035 [26.29] |
| Width/Dia., in [mm] | 0.375 [9.53]  |

**Connector 1**

|                                      |               |
|--------------------------------------|---------------|
| Type                                 | SMA Female    |
| Inner Conductor Material and Plating | Gold          |
| Body Material and Plating            | Brass, Nickel |
| Dielectric Type                      | PTFE          |

**Connector 2**

|                                      |               |
|--------------------------------------|---------------|
| Type                                 | F Female      |
| Inner Conductor Material and Plating | Gold          |
| Body Material and Plating            | Brass, Nickel |
| Dielectric Type                      | PTFE          |

**Compliance Certifications** (visit [www.Pasternack.com](http://www.Pasternack.com) for current document)

**Plotted and Other Data**

Notes: Values at 25 °C, sea level

URL: <http://www.pasternack.com/sma-female-f-female-straight-adapter-pe91002-p.aspx>

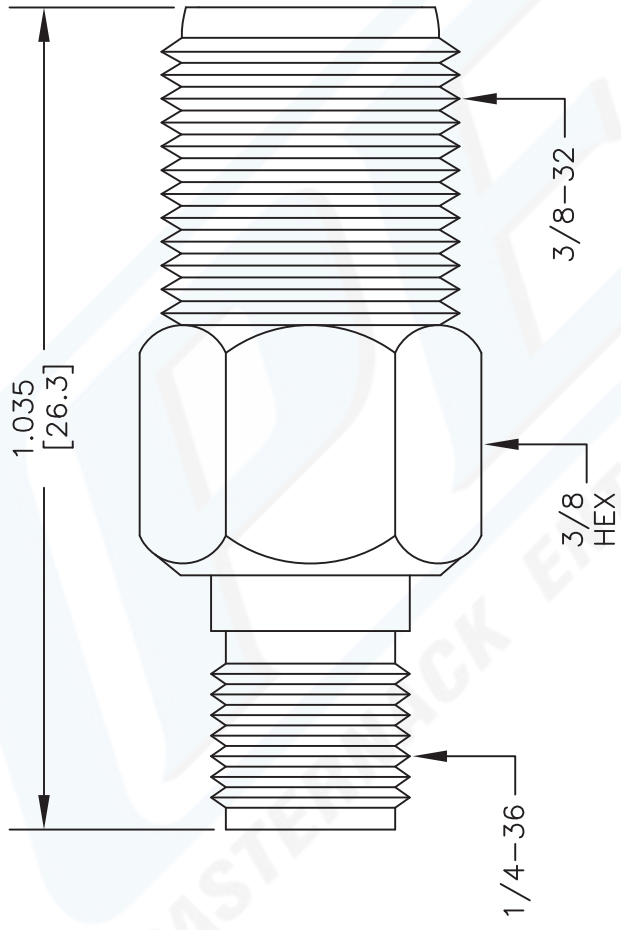
50 Ohm SMA Female to 75 Ohm F Female Adapter from Pasternack Enterprises has same day shipment for domestic and International orders. Our RF, microwave and fiber optic products maintain a 99% availability and are part of the broadest selection in the industry.

The information contained in this document is accurate to the best of our knowledge and representative of the part described herein. It may be necessary to make modifications to the part and/or the documentation of the part, in order to implement improvements. Pasternack reserves the right to make such changes as required. Unless otherwise stated, all specifications are nominal.



# PE91002 CAD Drawing

50 Ohm SMA Female to 75 Ohm F Female Adapter



NOTES:  
1. UNLESS OTHERWISE SPECIFIED ALL DIMENSIONS ARE NOMINAL.  
2. ALL SPECIFICATIONS ARE SUBJECT TO CHANGE WITHOUT NOTICE AT ANY TIME.  
3. DIMENSIONS ARE IN INCHES [mm].

DWG TITLE  
**PE91002**

FSCM NO. 53919

CAD FILE 040209

SCALE N/A

SIZE A

2233

**PE PASTERNAK®**  
Pasternack Enterprises, Inc.  
P.O. Box 16759 | Irvine | CA | 92623  
Phone: (949) 261-1920 | Fax: (949) 261-7451  
Website: www.pasternack.com | E-Mail: sales@pasternack.com