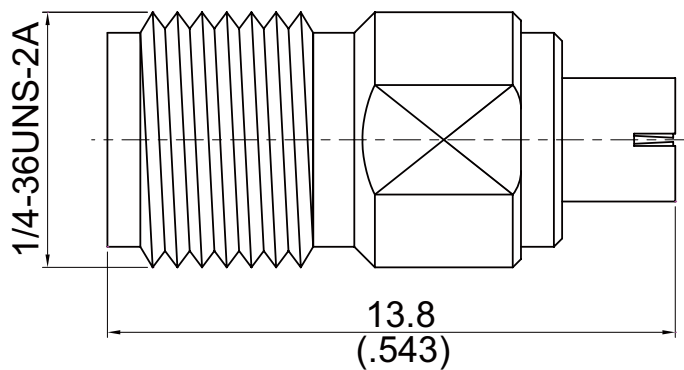


AD-A8IP3	SMA Jack To IPEX Plug	50Ω
----------	-----------------------	-----



Parts	Material	Plating (Micro-inch)
Renber Ring	Beryllium Copper	Gold 5 Over Nickel 50 Over Copper 50
Contact Pin	Beryllium Copper	Gold 10 Over Nickel 50 Over Copper 50
Insulator	Teflon	
Body (IPEX)	Beryllium Copper	Gold 5 Over Nickel 50 Over Copper 50
Body (SMA)	Brass	Gold 5 Over Nickel 50 Over Copper 50

Weight:

This part number complies with RoHS.

Notice: JYBAO reserves the right to make modifications deemed appropriate.