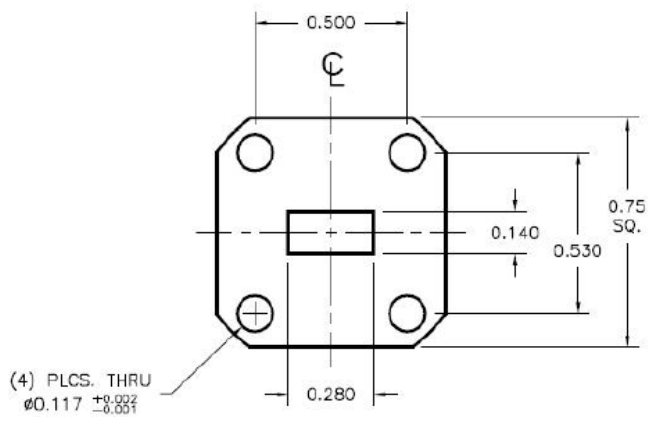
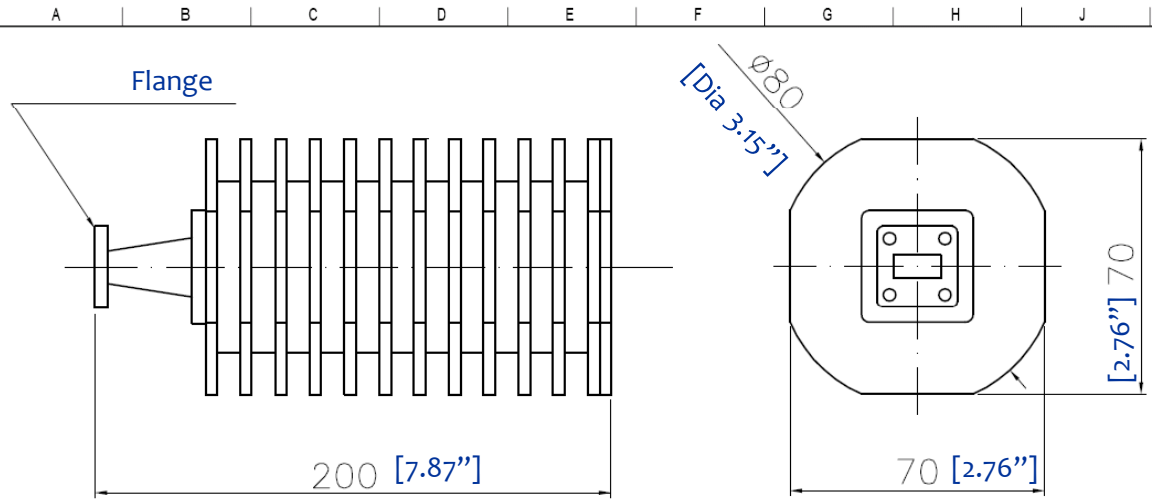


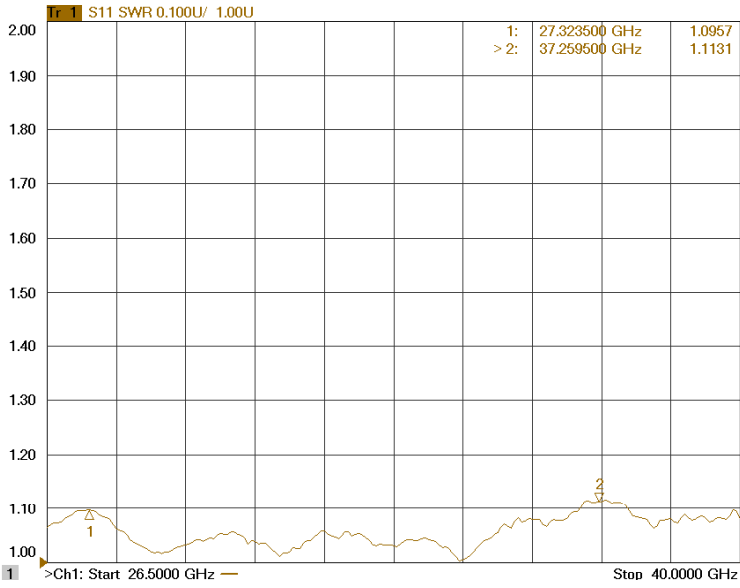
WR28 WAVEGUIDE 150W HIGH POWER TERMINATION - RFWT28G



(4) PLCS. THRU
Ø0.117 ±0.002

3.0 Electrical Specifications		
3.1	Frequency Range	26.5-40GHz
3.2	Average Power	150W (CW)
3.3	Peak Power	1KW
3.4	VSWR	1.2:1 (type.) 1.35:1 (max)

2.0 Environment specifications		
2.1	Temp.	-40°C~+85°C (Operation Temp.)
2.2	Temp.	-50°C~+125°C (Storage Temp.)
2.3	Altitude	30,000 ft (Controlled environment)
2.4	Vibration	10g rms (15 degree 2KHz)
2.5	Humidity	10% to 95%, non-condensing (Storage) 10% to 95%, non-condensing (non-operating) 5% to 100%, with condensation (Operating)
2.6	Shock	20G for 11msc
2.7	Pressure	Handle 0.5PSI air pressure.



1.0 Mechanical Specifications		
1.1	Waveguide type	Rectangular Waveguide WR28
1.2	Flange type	CPRF, COVER
1.3	Flange Holes	Through
1.4	Basis-material	Alloyed Cuprum
1.5	Internal Body Finish	Silver Plated chromate or conversion
1.6	External Body Finish	Body painted with gray/black epoxy enamel
1.7	Weight	4.5 lb.

PAGE 1 OF 1		DATE Sep 7 th 2011
<small>PROPRIETARY INFORMATION THE INFORMATION CONTAINED IN THIS DOCUMENT IS THE PROPERTY OF RF-LAMBDA EXCEPT AS SPECIFICALLY AUTHORIZED IN WRITINGS BY RF-LAMBDA. THE HOLDER OF THIS DOCUMENT SHALL KEEP ALL INFORMATION CONTAINED HEREIN CONFIDENTIAL AND SHALL PROTECT SAME IN THE WHOLE OR IN PART FROM DISCLOSURE AND DISSEMINATION OF ALL THIRD PARTIES AND SHALL USE SAME FOR OPERATING AND MAINTENANCE PURPOSES ONLY</small>		
RFWT28G WAVEGUIDE TERMINATION		DESIGN RFPC RF-LAMBDA RFPC CAD MODEL REVISION 11 ASSEMBLY REVISION VS5DS ASSEMBLY NAME RFLVR05 DRAWING NUMBER D05-1
www.rflambda.com		
RF-LAMBDA	SIZE LT	SHEETS 1 OF 1