



Precision SMA Male to 2.92mm Male Adapter

TECHNICAL DATA SHEET

PE91010

Precision SMA Male to 2.92mm Male Adapter

Configuration

Connector 1	SMA Male
Impedance 1	50 Ohms
Connector Specification 1	MIL-STD-348
Connector 2	2.92mm Male
Impedance 2	50 Ohms
Adapter Design	Precision
Body Style	Straight

Electrical Specifications

Frequency Range, GHz	DC to 26.5
Maximum VSWR	1.2:1
Maximum Insertion Loss, dB	0.25
Dielectric Withstanding Voltage, Vrms	750

Mechanical Specifications

Temperature

Operating Range, deg C	-55 to +150
------------------------	-------------

Size

Length, in [mm]	0.79 [20.07]
Width/Dia., in [mm]	0.312 [7.92]

Connector 1

Type	SMA Male
Inner Conductor Material and Plating	Beryllium Copper, Gold
Inner Conductor Plating Specification	50µ in. minimum, ASTM-B488
Coupling Nut Material and Plating	Passivated Stainless Steel
Coupling Nut Plating Specification	SAE-AMS-2700
Hex Size, in.	5/16
Torque, in-lbs [Nm]	8 [0.9]
Body Material and Plating	Passivated Stainless Steel
Body Plating Specification	SAE-AMS-2700
Dielectric Type	PTFE

Connector 2

Type	2.92mm Male
Inner Conductor Material and Plating	Beryllium Copper, Gold
Inner Conductor Plating Specification	50µ in. minimum, ASTM-B488
Coupling Nut Material and Plating	Passivated Stainless Steel
Coupling Nut Plating Specification	SAE-AMS-2700
Hex Size, in.	5/16

Click the following link (or enter part number in "SEARCH" on website) to obtain additional part information including price, inventory and certifications: [Precision SMA Male to 2.92mm Male Adapter PE91010](#)

The information contained in this document is accurate to the best of our knowledge and representative of the part described herein. It may be necessary to make modifications to the part and/or the documentation of the part, in order to implement improvements. Pasternack reserves the right to make such changes as required. Unless otherwise stated, all specifications are nominal.





Precision SMA Male to 2.92mm Male Adapter

TECHNICAL DATA SHEET

PE91010

Torque, in-lbs [Nm]	8 [0.9]
Body Material and Plating	Passivated Stainless Steel
Body Plating Specification	SAE-AMS-2700
Dielectric Type	PEI

Compliance Certifications (visit www.Pasternack.com for current document)

Plotted and Other Data

Notes: Values at 25 °C, sea level

Precision SMA Male to 2.92mm Male Adapter from Pasternack Enterprises has same day shipment for domestic and International orders. Our RF, microwave and fiber optic products maintain a 99% availability and are part of the broadest selection in the industry.

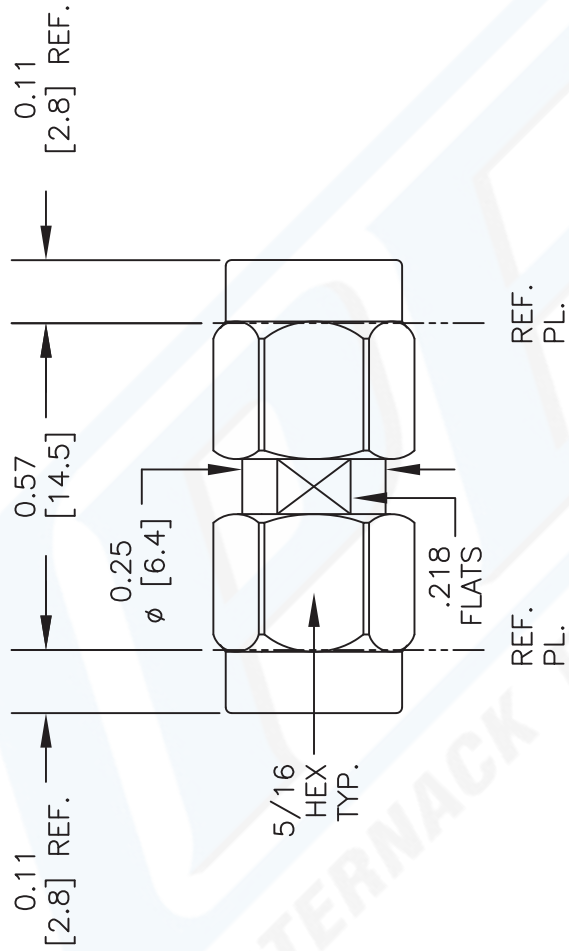
Click the following link (or enter part number in "SEARCH" on website) to obtain additional part information including price, inventory and certifications: [Precision SMA Male to 2.92mm Male Adapter PE91010](http://www.pasternack.com/sma-male-2.92mm-male-straight-adapter-pe91010-p.aspx)

URL: <http://www.pasternack.com/sma-male-2.92mm-male-straight-adapter-pe91010-p.aspx>

The information contained in this document is accurate to the best of our knowledge and representative of the part described herein. It may be necessary to make modifications to the part and/or the documentation of the part, in order to implement improvements. Pasternack reserves the right to make such changes as required. Unless otherwise stated, all specifications are nominal.

PE91010 CAD Drawing

Precision SMA Male to 2.92mm Male Adapter



DWG TITLE

PE91010

NOTES:
 1. UNLESS OTHERWISE SPECIFIED ALL DIMENSIONS ARE NOMINAL.
 2. ALL SPECIFICATIONS ARE SUBJECT TO CHANGE WITHOUT NOTICE AT ANY TIME.
 3. DIMENSIONS ARE IN INCHES [mm].

FSCM NO. 53919

CAD FILE 031811

SCALE N/A

SIZE A

127



PASTERNAK®
 Pasternack Enterprises, Inc.
 P.O. Box 16759 | Irvine | CA | 92623
Phone: (949) 261-1920 | **Fax:** (949) 261-7451
Website: www.pasternack.com | **E-Mail:** sales@pasternack.com