

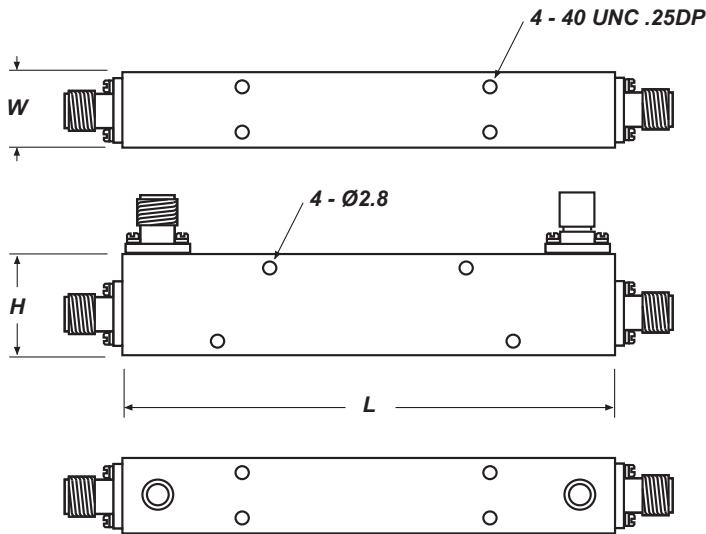
Directional Couplers – Wide Band

- 375MHz – 18GHz



General Specifications	
Impedance	50 ohms
Operating Temperature	-55 to +85C
Connectors	SMA Female Stainless Steel
Body Finish	Chromate Aluminium

Model No.	Frequency Range (GHz)	Coupling (dB) Nom.	Coupling Accuracy (dB) max.	Coupling Sensitivity with Frequency (dB) max.	Insertion Loss (dB) max.	Directivity (dB) min.	VSWR max.	Power (Watts) CW	Size (L x W x H) mm
CDC-003060-10	0.375 – 6.0	10	+/-1.0	+/-1.0	1.0	15	1.2	50	112 x 12.7 x 17
CDC-003060-20	0.375 – 6.0	20	+/-1.0	+/-1.0	1.0	15	1.2	50	112 x 12.7 x 17
CDC-003060-30	0.375 – 6.0	30	+/-1.5	+/-1.5	1.0	15	1.2	50	112 x 12.7 x 17
CDC-005180-10	0.5 – 18.0	10	+/-1.0	+/-1.0	1.6	10	1.6	30	113 x 11 x 15
CDC-005180-20	0.5 – 18.0	20	+/-1.0	+/-1.0	1.5	10	1.6	30	113 x 11 x 15
CDC-005180-30	0.5 – 18.0	30	+/-1.0	+/-1.0	1.2	10	1.6	30	113 x 11 x 15
CDC-010180-10	1.0 – 18.0	10	+/-1.0	+/-1.0	1.2	12	1.6	50	73 x 11 x 15
CDC-010180-20	1.0 – 18.0	20	+/-1.0	+/-1.0	1.2	12	1.6	50	73 x 11 x 15
CDC-010180-30	1.0 – 18.0	30	+/-1.0	+/-1.0	1.0	12	1.6	50	73 x 11 x 15
CDC-030180-10	3.0 – 18.0	10	+/-1.0	+/-1.0	0.7	12	1.5	50	38 x 12.7 x 17
CDC-030180-20	3.0 – 18.0	20	+/-1.0	+/-1.0	0.7	12	1.5	50	38 x 12.7 x 17
CDC-030180-30	3.0 – 18.0	30	+/-1.5	+/-1.5	0.7	12	1.5	50	38 x 12.7 x 17



Outline is a typical illustration only, for detailed outlines please consult factory.

We reserve the right to change standard product specifications without notice but will be pleased to consider control drawings for quotation.