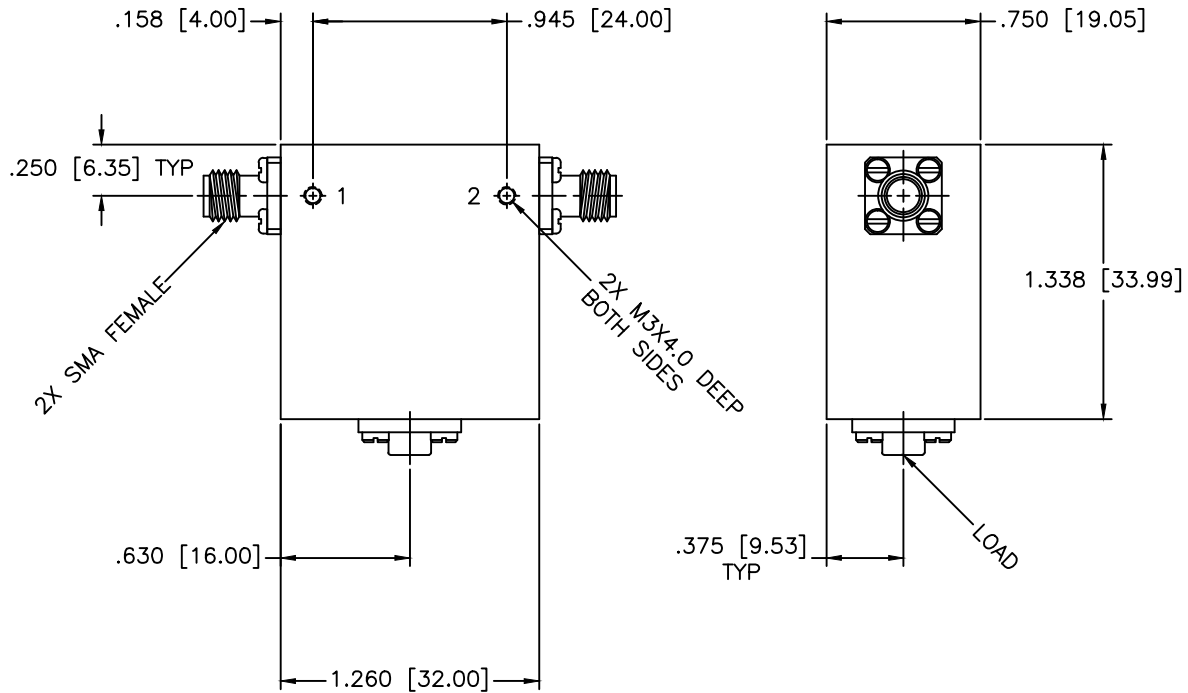


REVISIONS				
ZONE	REV	DESCRIPTION	Date	APPROVED



**SPECIFICATIONS**

Frequency Range: 2.6–5.5 GHz  
 Isolation: 18dB Min.  
 Insertion loss: 0.7dB Max.  
 VSWR: 1.40:1 Max.  
 Power Avg, Peak: 25W, 250W  
 Operating Temperature: -30°C to +70°C

MATERIAL:			MICROWAVE COMMUNICATIONS LABORATORIES INC. 7255 30TH AVE. N. SAINT PETERSBURG, FL 33710 TEL: (727) 344-6254 FAX: (727) 381-6116 http://www.MCLI.COM		SCALE:	N/A	
					SHEET:	N/A	
		UNLESS OTHERWISE SPECIFIED: TOLERANCES IN (INCHES) OR [mm] (MILLIMETERS) FRACTIONS: ± 1/64 DECIMALS: ±.01 ±.005 ANGLE: ±1/2°	DRAWING TITLE:				COAXIAL ISOLATOR
		PROPRIETARY NOTICE: THE INFORMATION IN THIS DRAWING IS PROPRIETARY AND SHALL NOT BE USED OR REPRODUCED WITHOUT WRITTEN PERMISSION FROM MICROWAVE COMMUNICATIONS LABORATORIES INC. (MCLI)	PART NO.				IS-14
DRAWN:	DATE:		CAGE CODE:	SIZE:	REV:	DWG NO.	
APPROVED:	DATE:		OD2L5	N/A	N/A	82093	
		DO NOT SCALE THE DRAWING					