

1 2 3 4 5 6

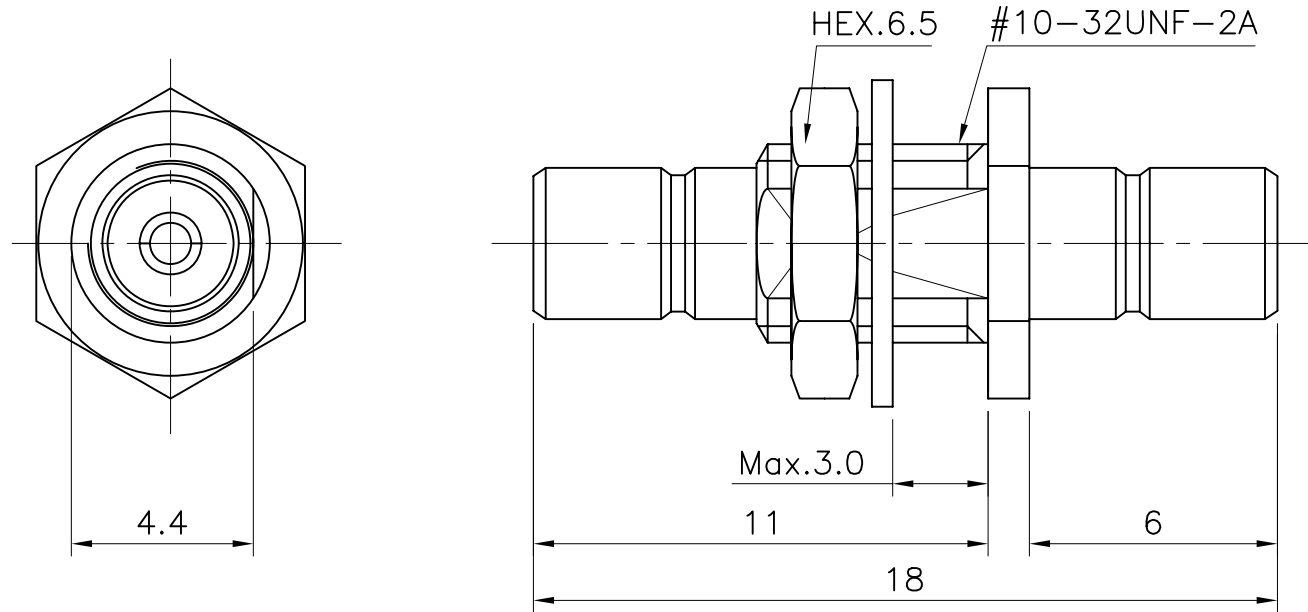
No.	Revision	Date	Name
△			
△			

D

C

B

A



SMB BULKHEAD JACK to JACK
-ADAPTOR

Item	Materials	Plating
Body,Nut	BRASS	Gold Plated
Center contact	BRASS	Gold Plated
Insulator	PTFE	-

CUSTOMER

NO.	DESCRIPTION	Q'TY	MATERIAL	FINISH	REMARKS.
PARTS No.	1P-804-18		NAME	SMB BJ to J-ADAPTOR	APPROVED
MATERIAL	FINISH	TOLERANCES OTHERWISE SPEC. ±0.05		ANGLES ±1°	CHECKED
SCALE		N/S	UNIT	mm	DESIGNED S.J.LEE
DWG NO.		1P-804-18		DATE. 15/DEC/2008	

Cross RF
web: www.crossrf.com