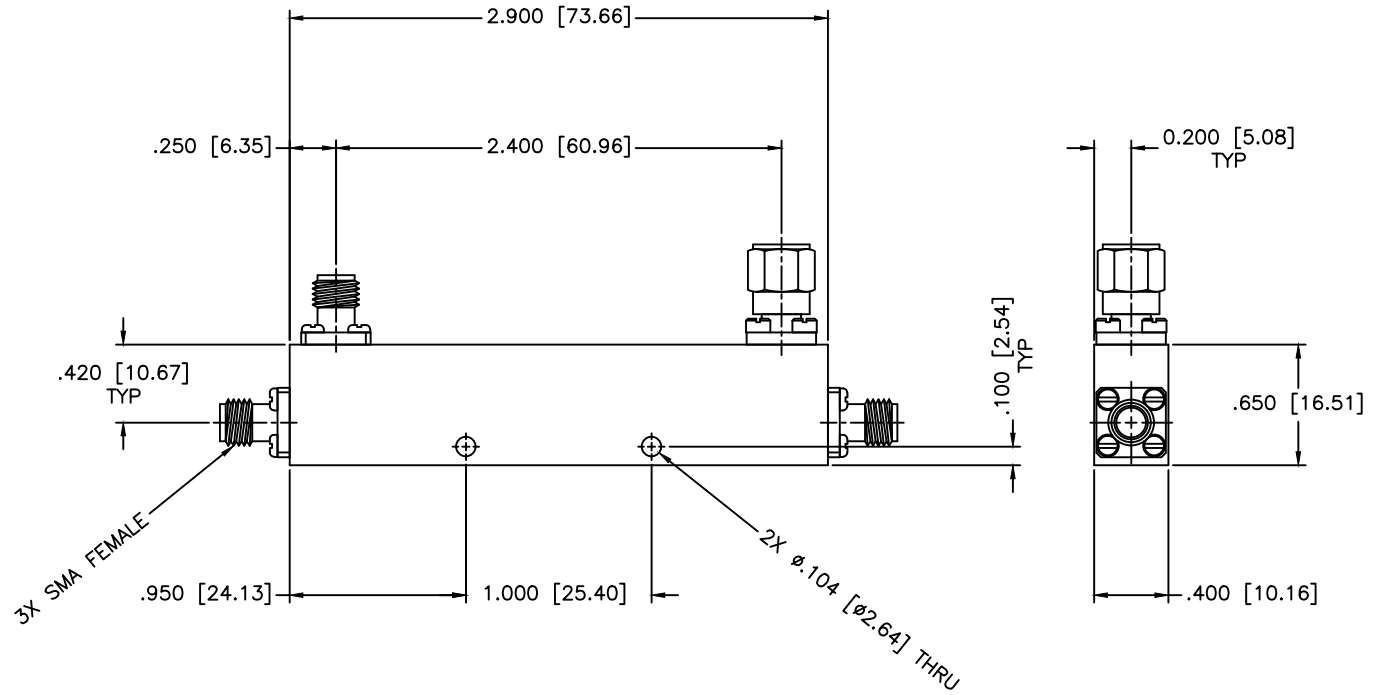


REVISIONS				
ZONE	REV	DESCRIPTION	DATE	APPROVED



SPECIFICATIONS

Frequency Range: 1–12.4 GHz
 VSWR: 1.65:1 Max.
 Coupling: 10±1.0dB
 Insertion Loss: 1.6dB Max.
 Directivity: 14dB Min.
 Frequency Sensitivity: ±0.75dB
 Power Incident, Reflected: 20W, 5W, 3kW Peak

MATERIAL:			MICROWAVE COMMUNICATIONS LABORATORIES INC. 7255 30TH AVE. N. SAINT PETERSBURG, FL 33710 TEL: (727) 344-6254 FAX: (727) 381-6116 http://WWW.MCLI.COM		SCALE:	N/A	
			UNLESS OTHERWISE SPECIFIED: TOLERANCES IN (INCHES) OR [mm] (MILLIMETERS) FRACTIONS: ± 1/64 DECIMALS: ±.01 ±.005 ANGLE: ±1/2°	DRAWING TITLE:		SHEET:	N/A
			PART NO.		DIRECTIONAL COUPLER		
			CAGE CODE:		CB13-10		
DRAWN:	DATE:	PROPRIETARY NOTICE: THE INFORMATION IN THIS DRAWING IS PROPRIETARY AND SHALL NOT BE USED OR DISCLOSED WITHOUT WRITTEN PERMISSION FROM MICROWAVE COMMUNICATIONS LABORATORIES INC. (MCLI)	SIZE:	REV:	DWG NO.		
APPROVED:	DATE:		OD2L5	A	B	82823	
			DO NOT SCALE THE DRAWING				