

TUNEABLE FILTER 250-500MHZ N

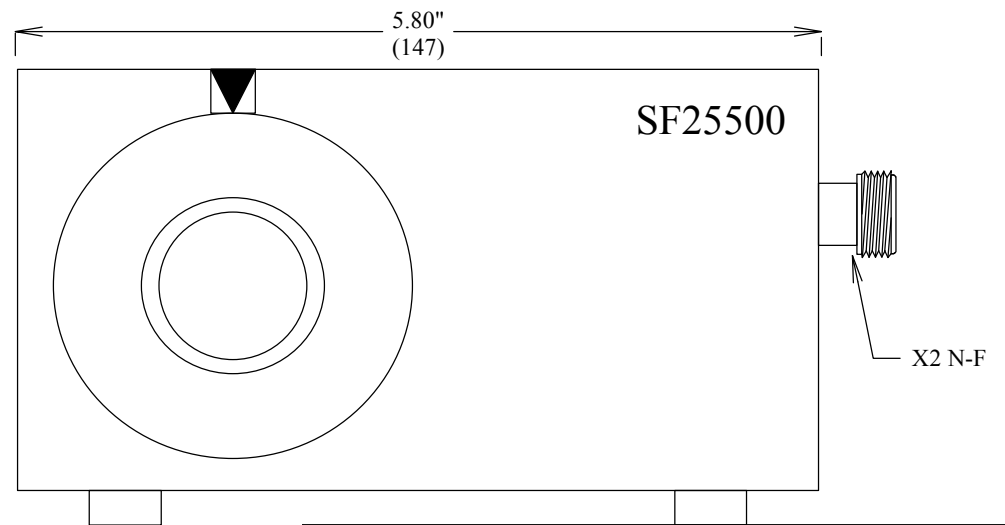
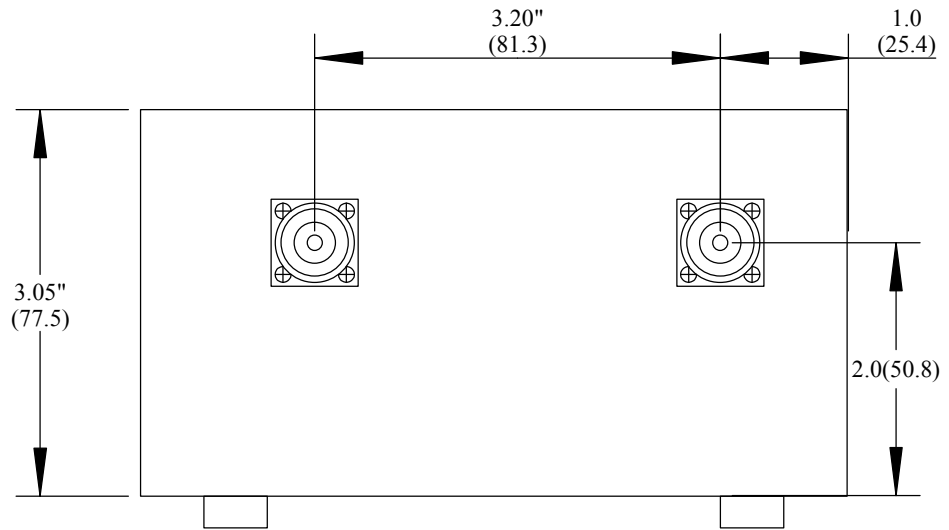
SF25500

SPECIFICATIONS

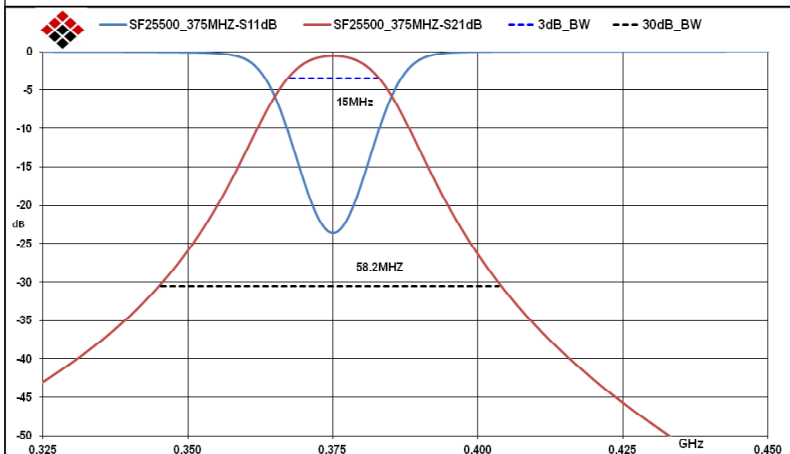
ELECTRICAL

FREQUENCY: 250-500 MHZ
 IMPEDANCE: 50 OHMS
 VSWR: 1.50.7:1 MAX
 INSERTION LOSS: 0.7 DB
 INPUT POWER: 5W CW
 REJECTION: >50 dB Fo ± 100 MHZ

ROHS COMPLIANT



MEASUREMENTS BELOW ARE TYPICAL



ALL DIMENSIONS IN inches(MM) Typical

FAIRVIEW MICROWAVE INC.

ALLEN, TX 75013 WWW.FAIRVIEWMICROWAVE.COM

TITLE

TUNEABLE FILTER 250-500MHZ N

SIZE	CAGE CODE	DWG NO	REV
A	3FKR5	SF25500	--
SCALE	SHEET		