

IMPEDANCE MATCHING PADS BNC/M(75OHM) TO BNC/F(50OHM)

SI1500

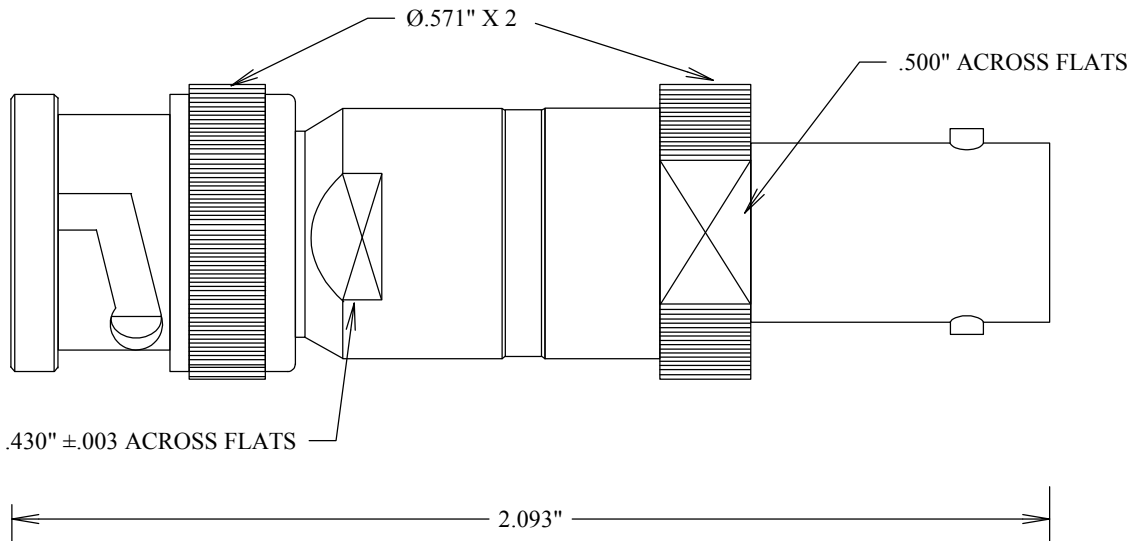
SPECIFICATIONS

ELECTRICAL:

FREQUENCY: 0-2 GHZ
 IMPEDANCE: 75 OHMS IN 50 OHMS OUT
 VSWR: 1.10 @ 0.5 GHZ
 1.15 @ 1 GHZ
 1.30 @ 2 GHZ

MECHANICAL:

MATERIAL BODY: BRASS
 CENTER CONTACTS FEMALE: BeCU
 CENTER CONTACTS MALE: BRASS
 ROHS COMPLIANT



FAIRVIEW MICROWAVE INC.

ALLEN, TX 75013 WWW.FAIRVIEWMICROWAVE.COM

TITLE

**IMPEDANCE MATCHING PADS
BNC/M(75OHM) TO BNC/F(50OHM)**

SIZE	CAGE CODE	DWG NO	REV
A	3FKR5	SI1500	
SCALE	SHEET		