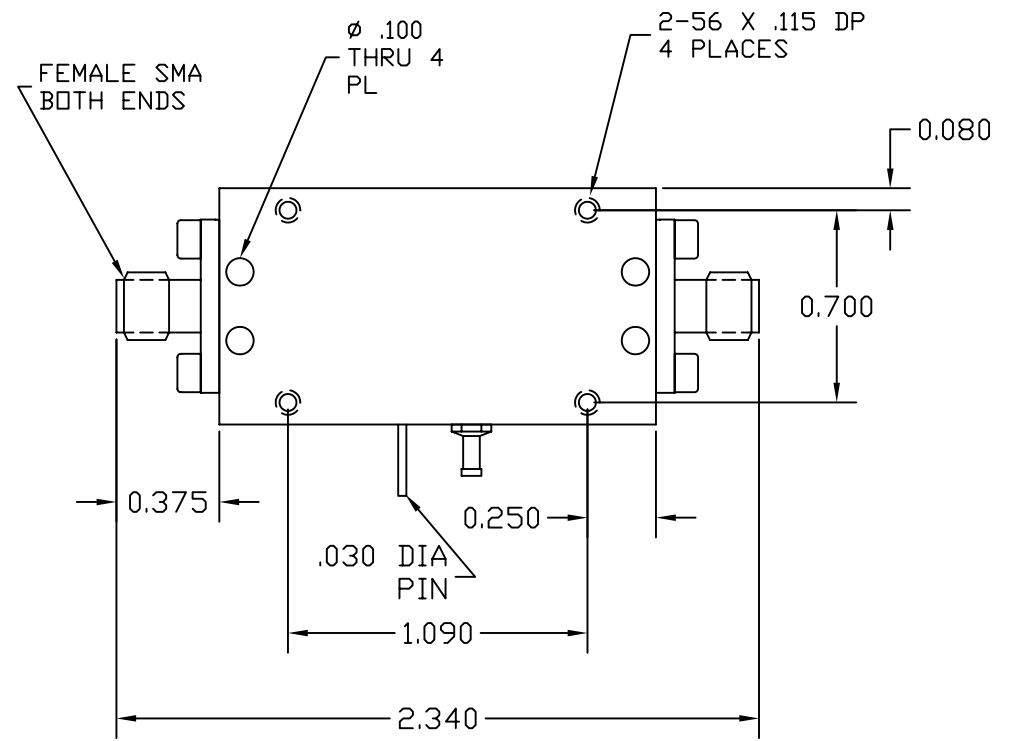
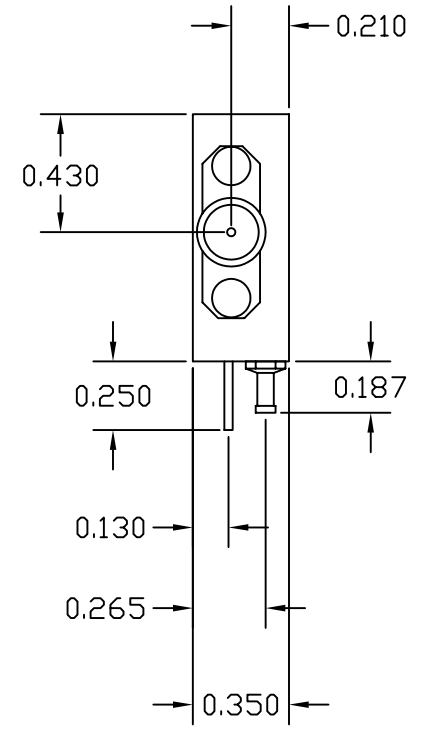
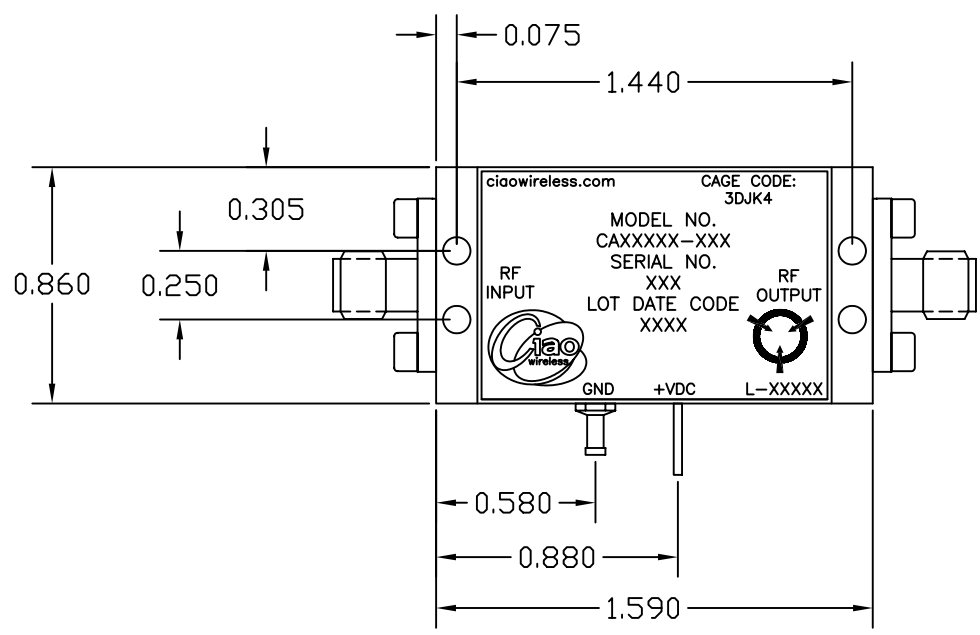
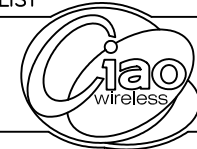


REVISIONS					
ZONE	REV	DESCRIPTION	ECO#	DATE	APPROVED
	A	RELEASED			



ITEM NO.	QTY REQD	PART OR IDENTIFYING NO.	NOMENCLATURE OR DESCRIPTION	MATERIAL SPECIFICATION
PARTS LIST				

UNLESS OTHERWISE SPECIFIED: DIMENSIONS ARE IN INCHES. TOLERANCES ARE: FRACTIONS DECIMALS HOLES ANGLES ± 1/64 .XX ±.01 .XX ±.01 ± 0°30'		CONTRACT NO.		 <p>CIAO WIRELESS 4000 VIA PESCADOR CAMARILLO CA, 93012</p>
DRAWN J. LACBAIN		DATE 3/15/04		
MATERIAL ALUMINUM 6061-T6		MECHANICAL ENGR		
FINISH ELECTROLESS NICKEL PER MIL-C-26074 CLASS 4 GRADE B .0005 ± .0001 MAX		ELECTRICAL ENGR		
NEXT ASSY		USED ON		<p style="text-align: center;">FB2 ICD AMPLIFIER</p>
APPLICATION DO NOT SCALE DRAWING		MANUFACTURING		
		PRODUCT ASSURANCE		SIZE B
		PLANNING		CAGE CODE 3DJK4
		MANUFACTURING		DWG. NO. 30020
				REV. A
				SCALE 1/1
				SHEET 1 OF 1

DWG NO. 30020

REV. A, 1/07