



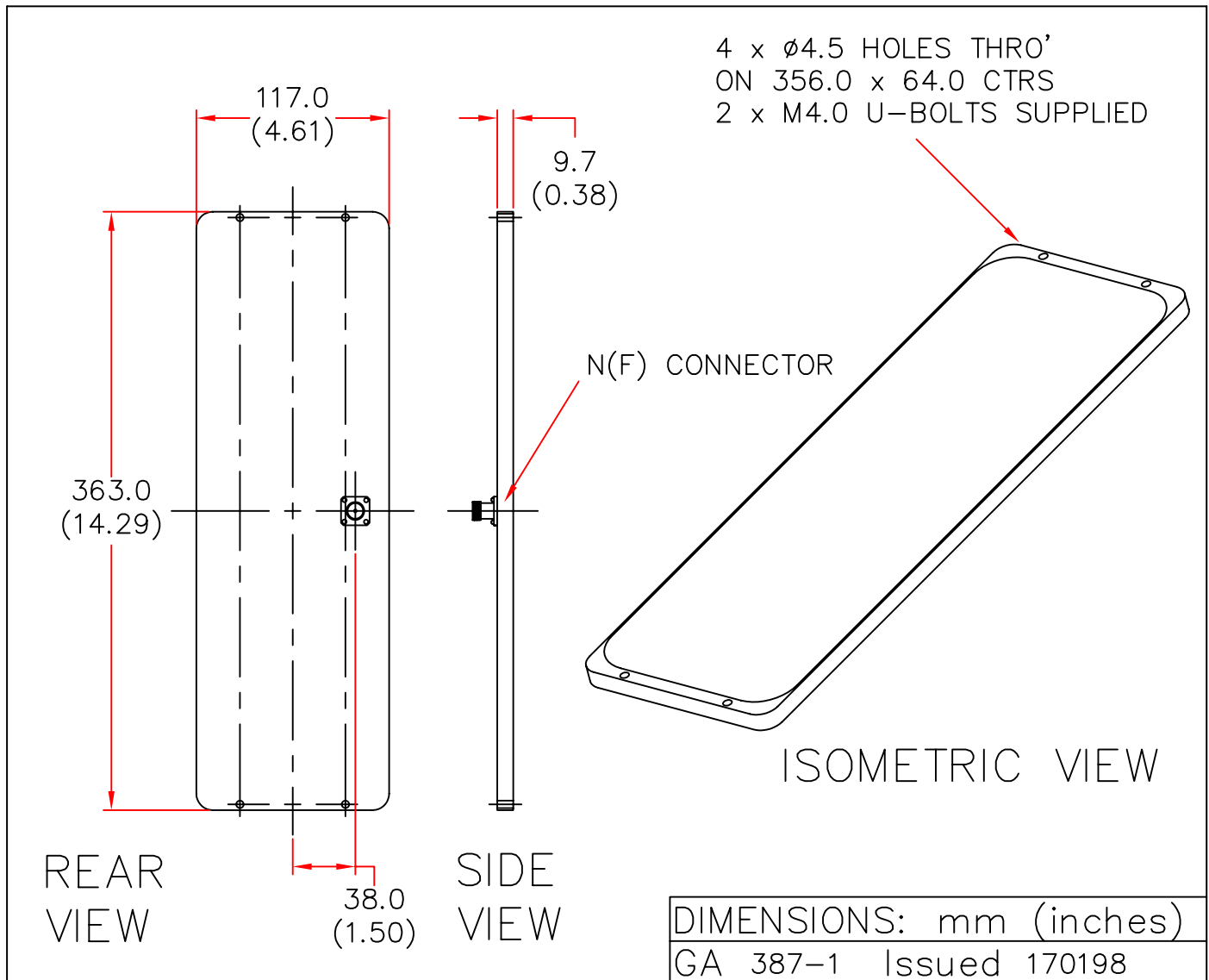
EUROPEAN ANTENNAS



SECTOR ANTENNA

MODEL: SA19-40-52V/387

FREQUENCY: 5.15-5.35 GHz	GAIN: 17.5 - 18.0 dBi
POLARISATION: Linear (Vertical)	BEAMWIDTH: 33°(Az) x 9.5°(El)
CROSS POLAR: 20 dB	VSWR: 1.5 : 1
POWER RATING: 5 W	FRONT TO BACK: < 40 dB
TEMPERATURE: -20°C to +50°C	MASS: 0.8 Kg/1.8 lbs
RADOME: Glass Fibre/Gloss White	WIND LOADING: 6.9Kg/15.2lbs@100mph



EUROPEAN ANTENNAS LTD.

TEL: +44 (0)1638 731888

LAMBDA HOUSE, CHEVELEY,
NEWMARKET, SUFFOLK, CB8 9RG,
UNITED KINGDOM.

FAX: +44 (0)1638 731999

European Antennas Ltd. has a policy of continuous development and therefore stress that the data contained on this sheet should be used for guidance only.