

MABA-010386-CA3A40

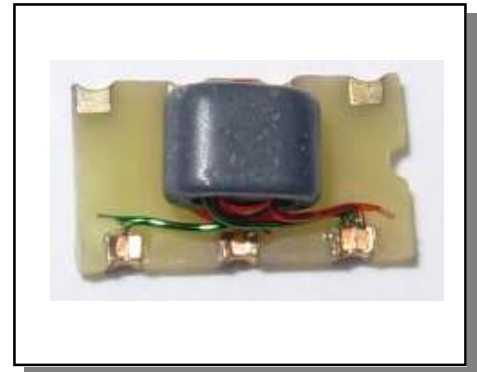


Auto-Transformer 1:3
5 MHz - 2400 MHz

Rev. V1

Features

- 1:3 Impedance Ratio
- Surface Mount
- Tape and reel packaging available
- 260°C Reflow Compatible
- RoHS* compliant



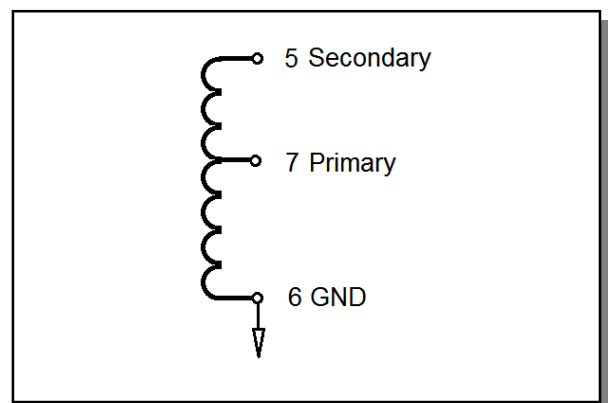
Electrical Specifications: $Z_0 = 75\Omega$, $T_A = 25^\circ\text{C}$, $P_{in} = 0\text{dBm}$

Parameter	Conditions	Units	Min	Typ	Max
Frequency Range		MHz	5		2400
Impedance		Ω		75	
Main Line Loss	5 - 2400 MHz	dB	-	3.03	5.0

Pin Configuration

Pin No.	Function
1	Not Connected
2	Not Connected
3	Not Connected
4	Not Connected
5	Secondary
6	GND
7	Primary

Schematic



1

ADVANCED: Data Sheets contain information regarding a product M/A-COM Technology Solutions is considering for development. Performance is based on target specifications, simulated results, and/or prototype measurements. Commitment to develop is not guaranteed.
PRELIMINARY: Data Sheets contain information regarding a product M/A-COM Technology Solutions has under development. Performance is based on engineering tests. Specifications are typical. Mechanical outline has been fixed. Engineering samples and/or test data may be available. Commitment to produce in volume is not guaranteed.

• **North America** Tel: 800.366.2266 • **Europe** Tel: +353.21.244.6400
 • **India** Tel: +91.80.43537383 • **China** Tel: +86.21.2407.1588
 Visit www.macomtech.com for additional data sheets and product information.

M/A-COM Technology Solutions Inc. and its affiliates reserve the right to make changes to the product(s) or information contained herein without notice.

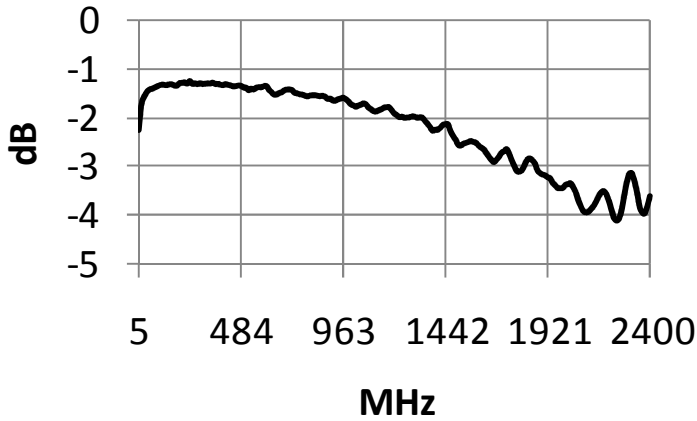
MABA-010386-CA3A40



Auto-Transformer 1:3
5 MHz - 2400 MHz

Rev. V1

Main Line Loss :



Electrical Specifications: $Z_0 = 75\Omega$, $T_A = 25^\circ\text{C}$, $P_{in} = 0\text{dBm}$

ADVANCED: Data Sheets contain information regarding a product M/A-COM Technology Solutions is considering for development. Performance is based on target specifications, simulated results, and/or prototype measurements. Commitment to develop is not guaranteed.
PRELIMINARY: Data Sheets contain information regarding a product M/A-COM Technology Solutions has under development. Performance is based on engineering tests. Specifications are typical. Mechanical outline has been fixed. Engineering samples and/or test data may be available. Commitment to produce in volume is not guaranteed.

• **North America** Tel: 800.366.2266 • **Europe** Tel: +353.21.244.6400
• **India** Tel: +91.80.43537383 • **China** Tel: +86.21.2407.1588
Visit www.macomtech.com for additional data sheets and product information.

M/A-COM Technology Solutions Inc. and its affiliates reserve the right to make changes to the product(s) or information contained herein without notice.

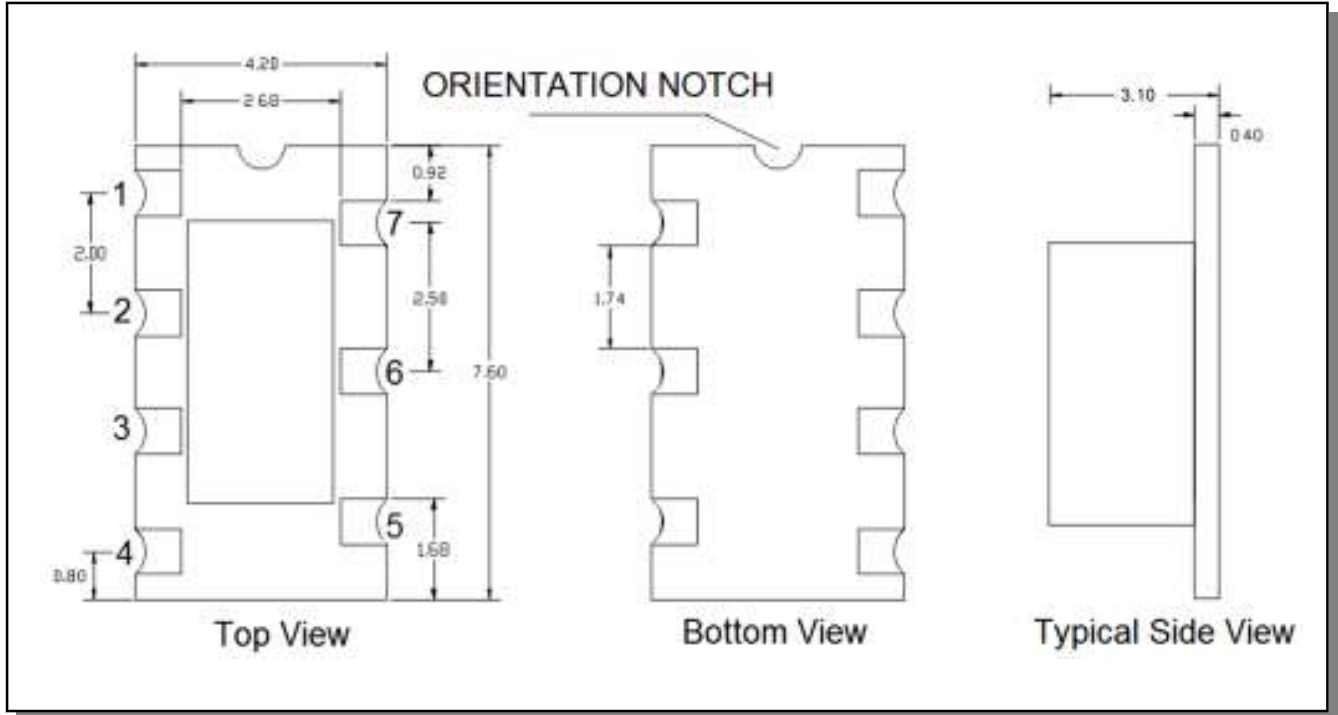
MABA-010386-CA3A40



Auto-Transformer 1:3
5 MHz - 2400 MHz

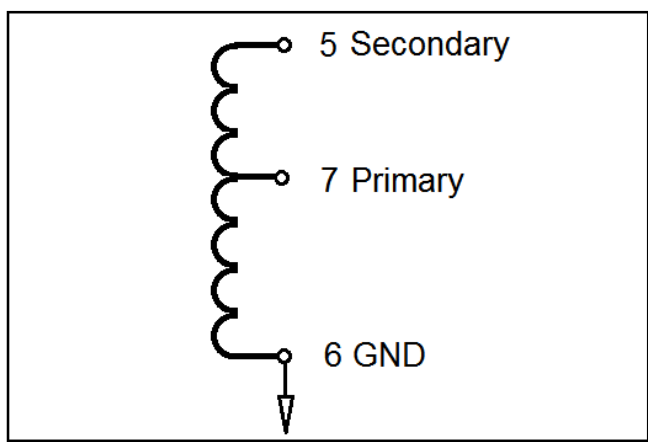
Rev. V1

Outline Drawing

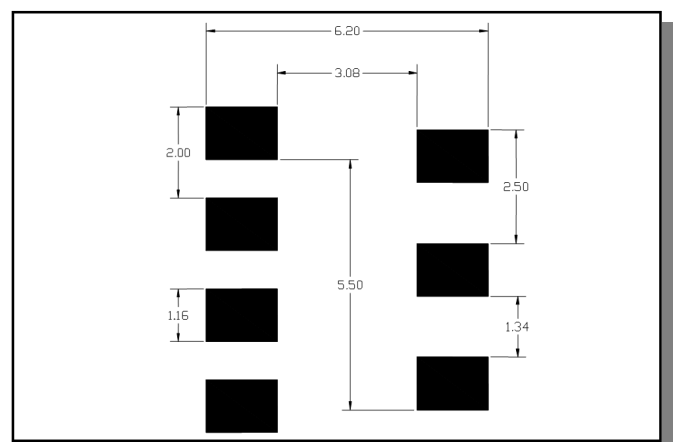


1. Dimensions in mm.
2. Tolerance: $\pm 0.2\text{mm}$ unless otherwise noted.
3. Model number and lot code printed on reel.
4. Finish: Electroless Nickel Immersion Gold.

Application Circuit



Recommended Footprint



MABA-010386-CA3A40



Auto-Transformer 1:3
5 MHz - 2400 MHz

Rev. V1

Tape & Reel Information

Parameter	Units	Value
Qty per reel	-	2000
Reel size	mm	330
Tape width (W)	mm	16.0
Pitch (P ₁)	mm	8.0
A ₀	mm	4.5
B ₀	mm	8.0
K ₀	mm	3.2
Orientation	-	F45
Reference Application Note ANI-019 for orientation		

Ordering Information

Part Number	Description
MABA-010386-CA3A40	Tape & Reel

Recommended Maximum Ratings

Parameter	Units	Min	Max
Input Power	mW		250
DC Current	mA		200
Operating Temperature Range	°C	-40	+85
Storage Temperature Range	°C	-55	+125

Temperature data available on request

ECO History

Rev	Date	Description	ECO
V1	2010-9-7	New Release	20101297