

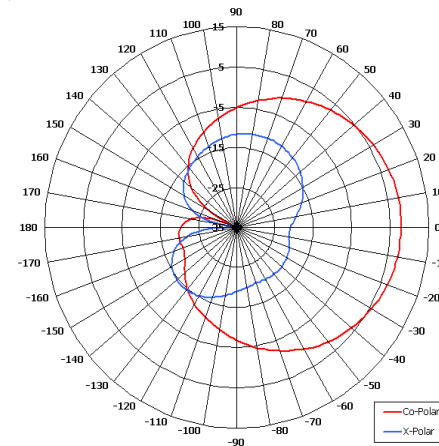
# FPA8-0.5V/1538

# COBHAM

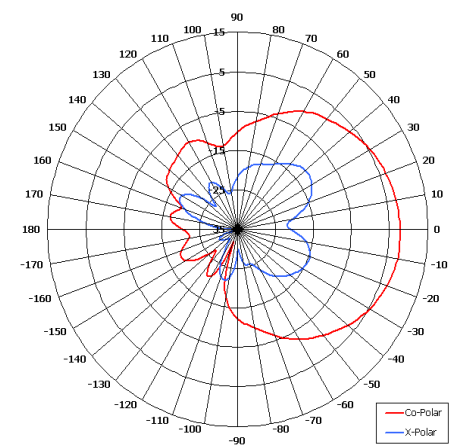
## Flat Panel Antenna

The most important thing we build is trust

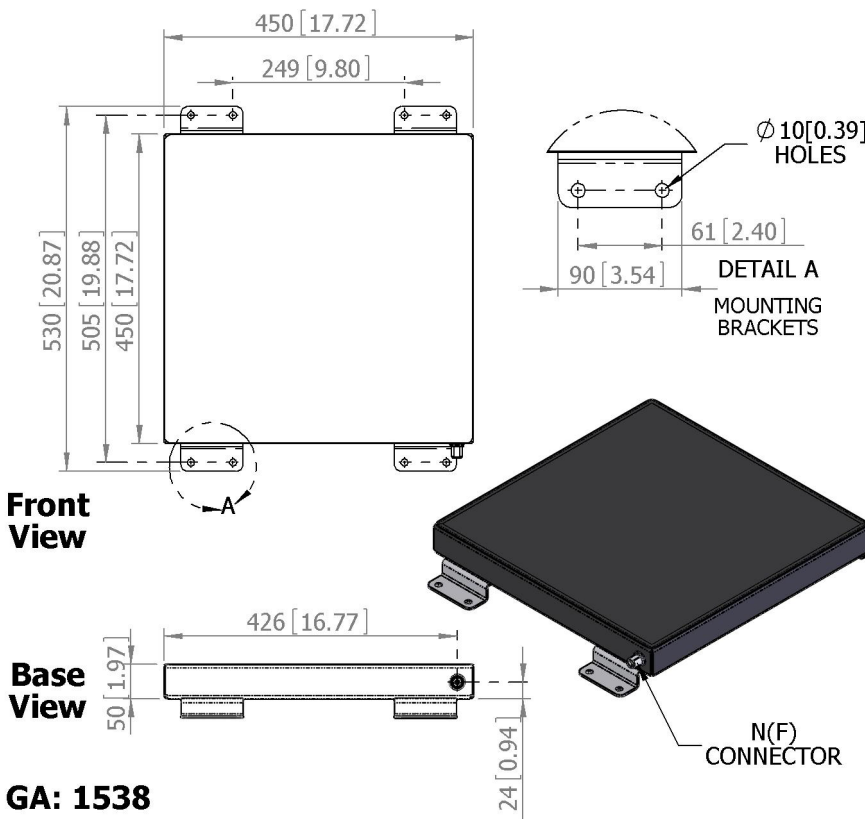
- Designed for Security Application
- Pattern - Directional
- Suitable for PMR/TETRA Applications
- Rugged



Azimuth Pattern



Elevation Pattern



**GA: 1538**

### ELECTRICAL

Frequency	440- 470 MHz
Gain	8.4 dBi Nom
Polarisation	Linear (Vertical)
Beamwidth	73° (Az) x 65° (El) Approx
Cross Polar	19 dB Min
VSWR	1.5:1 typical ,1.67:1 Worst Case
Power Rating	10W
Front to Back	22 dB Min

### MECHANICAL

Standard Finish	Matt Black
Mass	4.4Kg/9.68lbs
Temperature	-20° to +50°C
Wind Loading	33Kg/72lbs @ 100mph

### MOUNTING OPTIONS

Kits Available	N/A
See separate data sheets	

### ADDITIONAL NOTES

Issued 050310

European Antennas Limited trading as Cobham Antenna Systems, Microwave Antennas

European Antennas Limited has a policy of continuous development and stress that the information provided is a guide only and does not constitute an offer or contract or part thereof. Whilst every effort is made to ensure the accuracy of the information contained in this brochure, no responsibility can be accepted for any errors or omissions.

The copyright of antenna designs and images is copyright protected and owned by European Antennas Limited.  
©European Antennas Limited

For further information please contact:

Cobham Antenna Systems, Microwave Antennas  
Lambda House, Cheveley,  
Newmarket, Suffolk CB8 9RG, UK.  
Tel +44 (0)1638 732 177  
Fax +44 (0) 1638 731999  
Email newmarket.sales@cobham.com