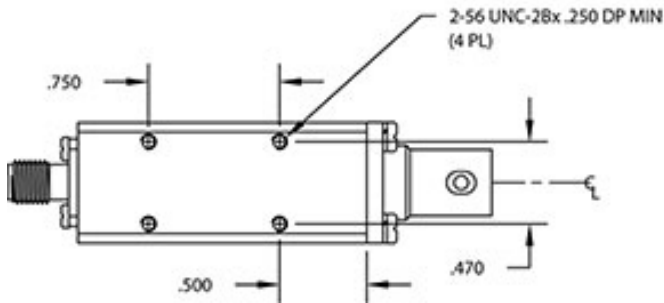
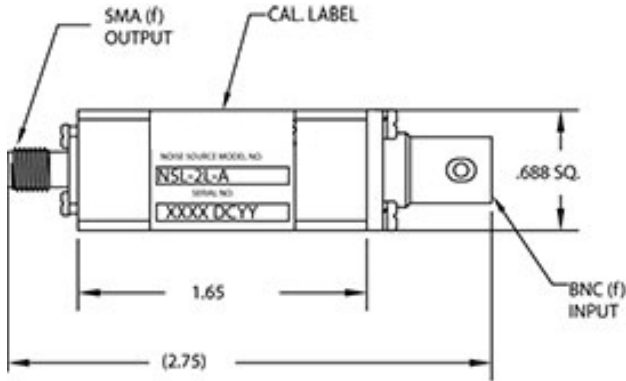


SPEC SHEET

NSL-2L-A

1 MHz to 1000 MHz

Broadband Microwave Coaxial Noise Sources



Specifications

| | |
|----------------------------------|-------------------|
| RF Frequency | 1 MHz to 1000 MHz |
| Noise Output | 14 - 16 dB ENR |
| Noise Spectral Density (N_0) | -159 dBm/Hz |
| VSWR | 1.3:1 |
| Peak Factor | 5:01 |
| Bias Voltage | 28 V |
| Supply Current | 25 mA Max |
| Impedance | 50 ohms |

Package and Connectivity

| | |
|----------------|---------|
| Construction | Coaxial |
| Connector Type | SMA(F) |

Environmental

| | |
|-----------------------|---------------|
| Operating Temperature | -55 to 95 °C |
| Storage Temperature | -65 to 125 °C |

Notes



MERCURY COMMERCIAL ELECTRONICS

Microwave RF Components | Hudson, NH | (603) 546-4100 | rf.mrcy.com
 Specifications subject to change without notice