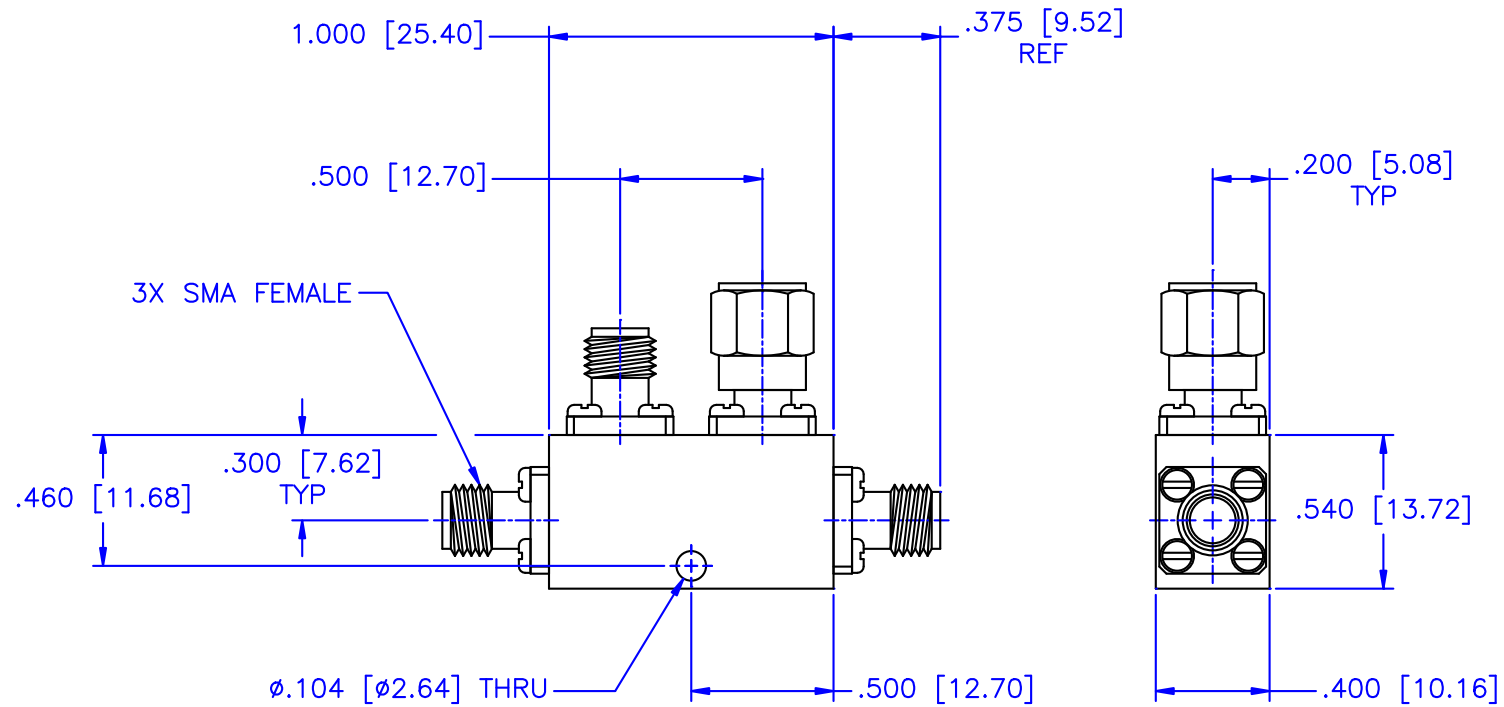


REVISIONS				
ZONE	REV	DESCRIPTION	Date	APPROVED



SPECIFICATIONS

Frequency Range: 10.7–11.7 GHz
 Coupling: 10±1.0dB
 Frequency Sensitivity: ±.75dB
 Insertion Loss Maximum.
 Excluding Coupler Power: 0.40dB
 True: 1.00dB
 Directivity: 18dB Min.
 VSWR Maximum.
 Primary Line: 1.30:1
 Secondary Line: 1.30:1
 Power Incident, Reflected: 50W, 5W
 Power Peak: 3kW

MATERIAL:	
DRAWN: Paiboon Luexhamhan	DATE: 12-07-2005
APPROVED: T. Nguyen	DATE: 12-07-2005

	MICROWAVE COMMUNICATIONS LABORATORIES INC. 7255 30TH AVE. N. SAINT PETERSBURG, FL 33710 TEL: (727) 344-6254 FAX: (727) 381-6116 http://WWW.MCLI.COM		SCALE: N/A
	UNLESS OTHERWISE SPECIFIED: TOLERANCES IN (INCHES) OR [mm] (MILLIMETERS) FRACTIONS: ± 1/64 DECIMALS: ±.01 ±.005 ANGLE: ±1/2°		SHEET: N/A
DRAWING TITLE: DIRECTIONAL COUPLER		PART NO. C97-10	
CAGE CODE: OD2L5	SIZE: N/A	REV: N/A	DWG NO. 82455
DO NOT SCALE THE DRAWING			

