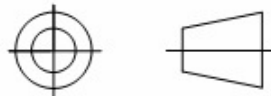


1	2	3	4	5	6	7	8
SERVICE DRAWING NUMBER		3rd ANGLE PROJECTION		THIS DRAWING IS MESL MICROWAVE PROPERTY IT MAY NOT BE COPIED OR EXHIBITED WITHOUT WRITTEN PERMISSION		MESL MICROWAVE	
SECURITY CLASSIFICATION		DRAWING TO BE READ IN CONJUNCTION WITH BS 8888		NOTES :			



NOTES :  
1. THIS UNIT IS ROHS COMPLIANT by DESIGN.

ELECTRICAL SPECIFICATIONS :

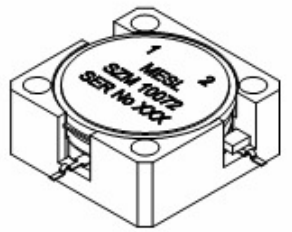
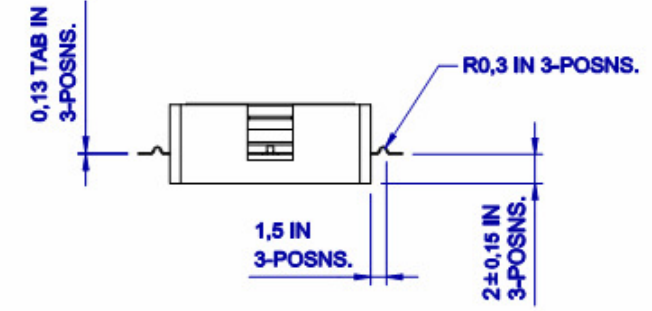
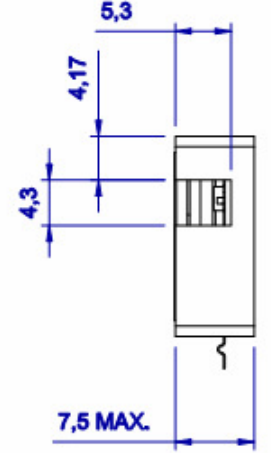
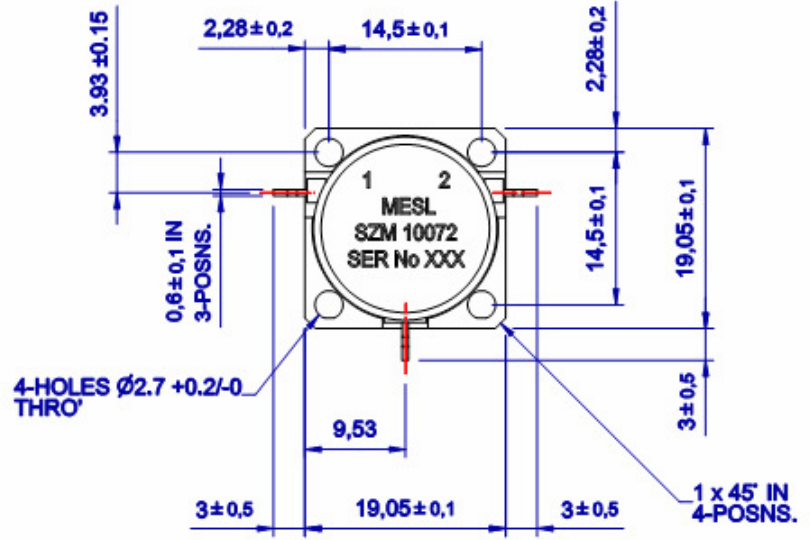
FREQUENCY RANGE : 2495 - 2700 MHz  
 INSERTION LOSS : 0.30dB Max on Room Temp.  
 0.40dB Max. on Full Temp. Range  
 ISOLATION : 23 dB @ room temp. / 20 dB on Full Temp. Range.  
 RETURN LOSS : 20 dB Min on Full Temp. Range.

ENVIRONMENTAL SPECIFICATIONS :

OPERAT'G TEMP. RANGE : -40°C to +85°C.  
 STORAGE TEMP. RANGE : -40°C to +85°C.  
 POWER FORWARD -CW : 100 W.  
 FORWARD-PEAK : 1000 W.  
 INTERMODULATION REQUIREMENT : 2x34 dBm each @ Port 2, spacing 1MHz. -65 dBc Min.

MECHANICAL SPECIFICATIONS :

Ports 1, 2 and 3 tabs as shown.



Q.A.
DATE
PROD.REL.
DATE
ENG.APP.
DATE
MECH. ENG.
DATE
DRAWN
AB. DATE

LIGHTLY REMOVE ALL BURRS AND SHARP EDGES U.O.S.

ORIGINAL SCALE	2/1	MATERIAL	SPECIFICATION
DO NOT SCALE PRINT		FINISH	SPECIFICATION
DIMENSION IN	MM	BODY : BRIGHT NICKEL PLATED.	
CERTIFIED AT ISSUE			

REF	DESCRIPTION	No OFF	CHAR.	POS.TOL.	B	DRN
RED (Development Only)						
CONTRACTOR						A 3
GENERAL TOLERANCE UNLESS OTHERWISE STATED						SECURITY CLASSIFICATION
ISO 2768-FH Symmetry ± 0,05						CONTRACTORS DRAWING NUMBER
RESPONSIBLE AUTHORITY						10072-000-OL
FINISH TO BE 1.6						SERVICE DRAWING NUMBER
UNLESS OTHERWISE STATED						SHEET No 1 OFF 1
TITLE						
2495-2700 MHz DROP-IN CIRC. Wi max OUTLINE SZM 10072						