

# Fixed Coaxial Attenuators



## Model 54A SMK Connectors

dc to 40.0 GHz  
2 Watts



### Features

- Useable to 42 GHz.
- Designed to meet environmental requirements of MIL-DTL-3933.

### Specifications

**NOMINAL IMPEDANCE:** 50 Ω  
**FREQUENCY RANGE:** dc to 40.0 GHz

#### MAXIMUM DEVIATION OVER FREQUENCY:

Nominal ATTN (dB)	Deviation (dB)	
	dc-26.5	26.5-40
3, 6	± 0.50	± 1.00
10, 20, 30	± 0.80	± 1.50

#### MAXIMUM SWR:

Frequency (GHz)	SWR
dc - 26.5	1.25
26.5 - 40	1.45

**POWER RATING:** 2 watts **average** to 25 °C ambient temperature, derated linearly to 0.1 watt at 125 °C. 200 watts **peak** (5 μsec pulse width; 0.5 % duty cycle).

**POWER COEFFICIENT:** < 0.005 dB/dB/watts

**TEMPERATURE COEFFICIENT:** < 0.0004 dB/dB/°C

**TEMPERATURE RANGE:** -55 °C to +125 °C

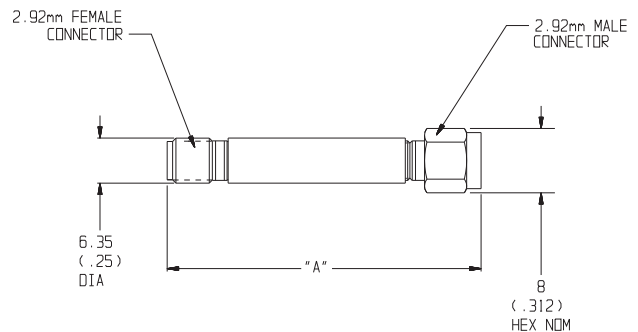
**TEST DATA:** Swept data plots of attenuation and SWR from 50 MHz to 40 GHz is available at additional cost.

**CONNECTORS:** SMK (2.92mm) connectors - mate nondestructively with SMA, 3.5mm and SMK (2.92mm) connectors.

**CONSTRUCTION:** Stainless steel body and connectors; gold plated beryllium copper contacts.

**WEIGHT:** 13 g (0.46 oz.) maximum

#### PHYSICAL DIMENSIONS:

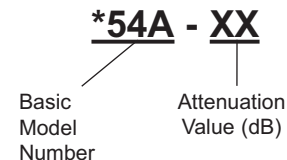


Model	DIM A
54A	39.9 (1.57)
F54A	37.9 (1.49)
M54A	42.0 (1.64)

NOTE: All dimensions are given in mm (inches) and are maximum, unless otherwise specified.

#### MODEL NUMBER DESCRIPTION:

Example:



\* Add Prefix M for double male and F for double female connectors.