

SMP-M EDGE LAUNCH LIMITED DETENTE

MMSP9260

SPECIFICATIONS

ELECTRICAL:

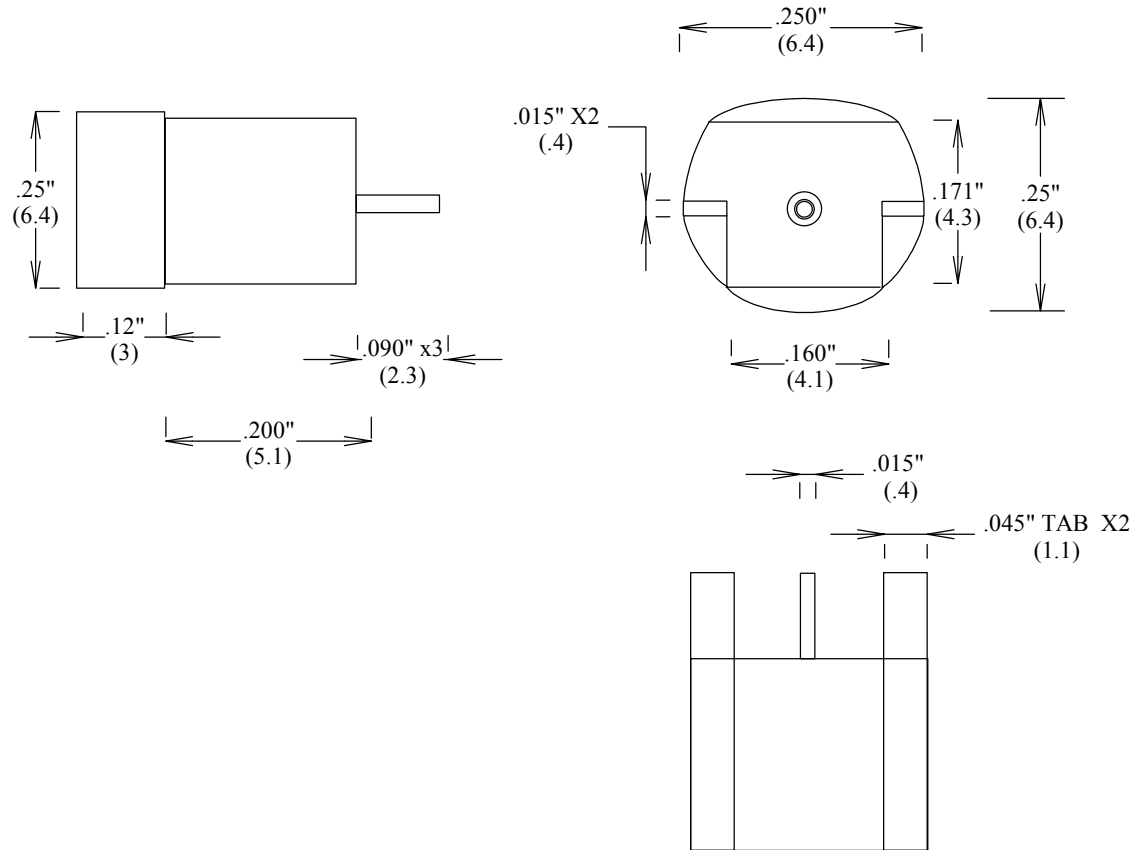
FREQUENCY: 0-40 GHZ
 IMPEDANCE: 50 OHMS

MECHANICAL:

MATERIAL BODY: BeCu
 CENTER CONTACTS: BeCu
 PLATING: Au PER MIL-G-45204
 INSULATOR: PTFE
 INTERFACE: SMP DESC 94007
 TEMPERATURE -65° to +165°C

FORCE TO ENGAGE: 10.0 LBS MAX
 FORCE TO DISENGAGE: 2.0 LBS MIN

ROHS COMPLIANT



FAIRVIEW MICROWAVE INC.

ALLEN, TX 75013 WWW.FAIRVIEWMICROWAVE.COM

TITLE

SMP-M EDGE LAUNCH LIMITED DETENTE

SIZE	CAGE CODE	DWG NO	REV
A	3FKR5	MMSP9260	--
SCALE		SHEET	

ALL DIMENSIONS IN inches(MM) Typical