

N 50W CONVECTION TERMINATION 4GHZ

ST4N50PL

SPECIFICATIONS

ELECTRICAL

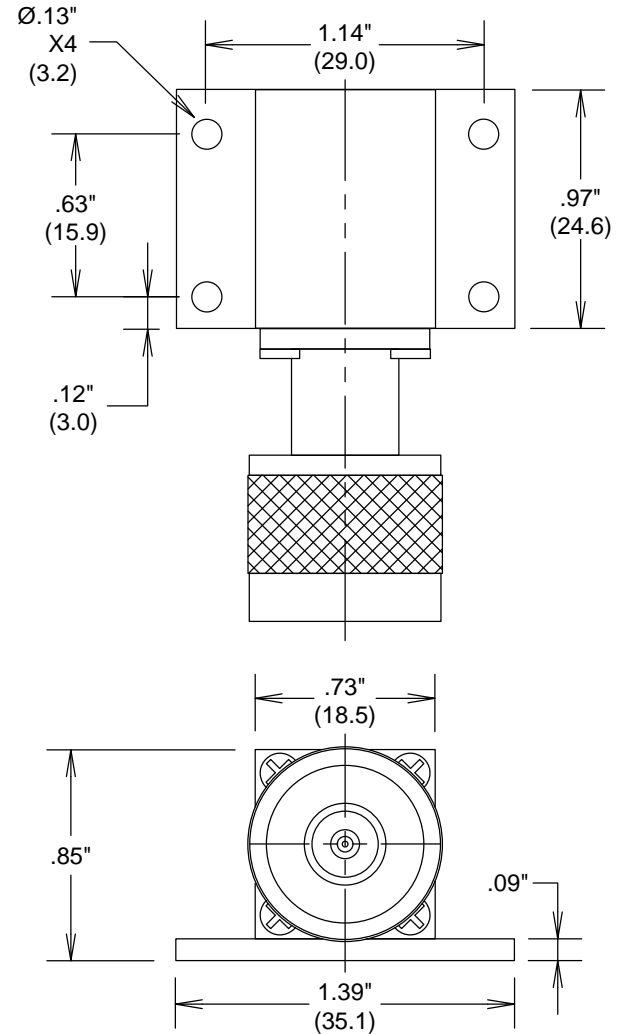
IMPEDANCE: 50 OHMS
 VSWR 1.35:1 MAX @ 4 GHZ
 FREQUENCY: 0-4 GHZ

MECHANICAL:

CONNECTOR INTERFACE: MIL-STD-348B

OPERATING TEMP: -40°C TO +70°C

ADDITIONAL HEATSINKING REQUIRED;
 CASE TEMPERATURE CANNOT EXCEED +100°C



FAIRVIEW MICROWAVE INC.

ALLEN, TX 75013 WWW.FAIRVIEWMICROWAVE.COM

TITLE

N 50W CONVECTION TERMINATION 4GHZ

SIZE	CAGE CODE	DWG NO	REV
A	3FKR5	ST4N50PL	--
SCALE		SHEET	

ALL DIMENSIONS IN inches(MM) Typical