

# KR Electronics

## General Description

KR Electronics part number 2979 is a 300 MHz elliptic type bandpass filter. The filter has a 150 MHz bandwidth and over 65 dB stopband rejection. Other center frequencies and bandwidths are available. Please consult the factory.

### Features

- 300 MHz Bandpass Filter
- Elliptic Type
- Sharp Transition to Stopband
- High Stopband Attenuation
- 50  $\Omega$  Source and Load
- Surface Mount
- Also available with SMA connectors

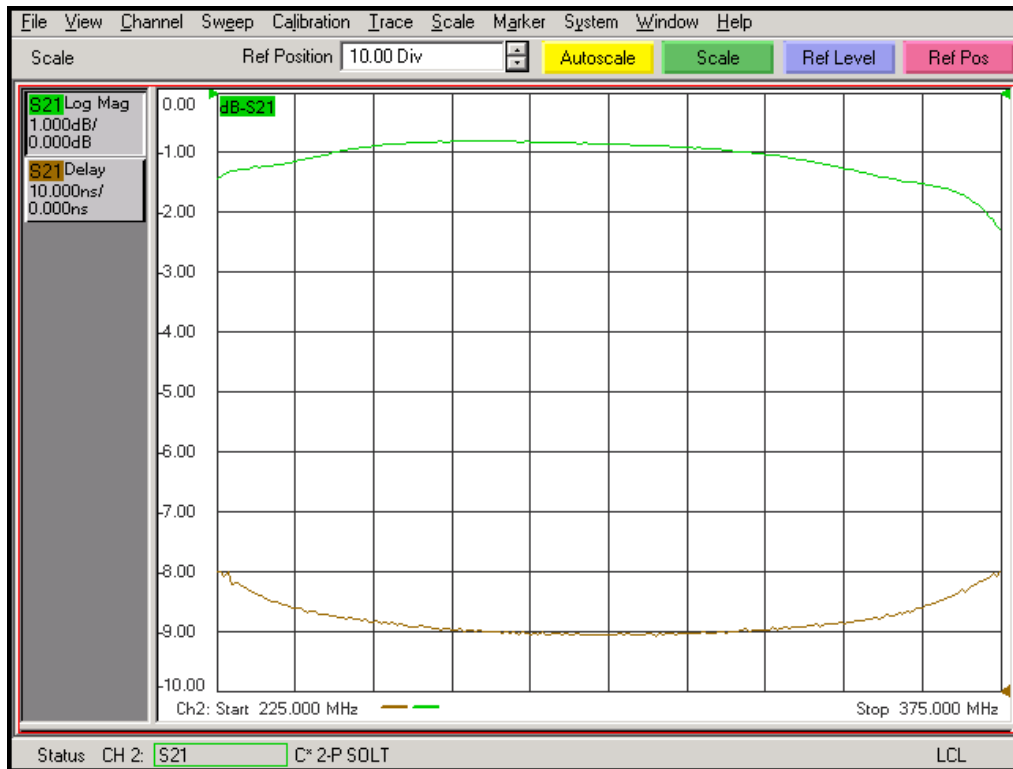
## Typical Performance

**Overall Response**  
(10 dB/div)



## Typical Performance

### Passband Amplitude & Group Delay (1 dB/div & 10 nsec/div)

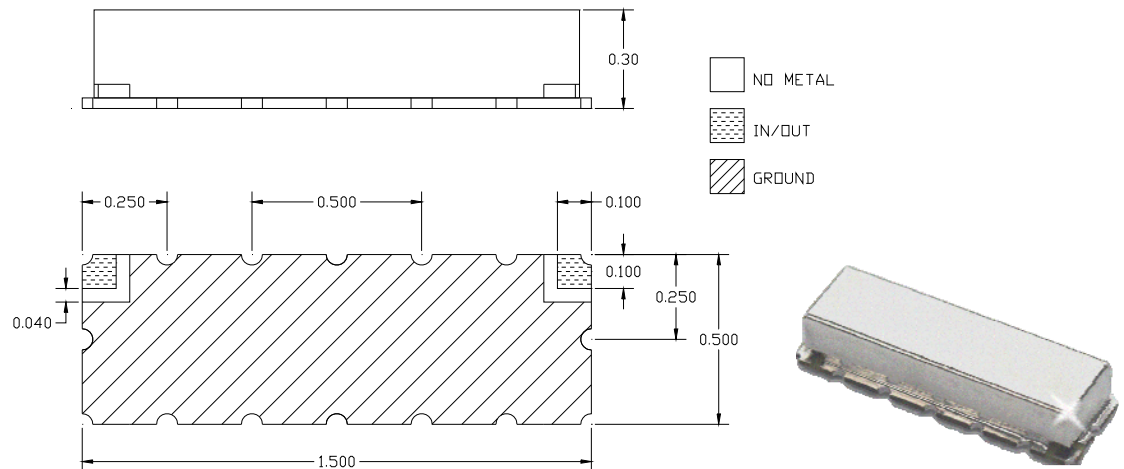


# KR Electronics 2979

## Specifications

Parameter	Specification	Notes
Filter type	Bandpass	
Center Frequency	300 MHz	
Insertion Loss	2 dB max	1 dB typical
Rejection at 175 MHz	65 dB min	
Rejection at 225 MHz	1 dB max	
Rejection at 375 MHz	2 dB max	
Rejection at 425 MHz	65 dB min	
Source and Load	50 $\Omega$	

## Physical Dimensions



### Notes:

1. Surface mount package, metal cover
2. Dimensions in inches
3. Max reflow temperature 209° C for 10 sec
4. If boards are cleaned after installation units must be completely dried
5. Also available in metal case with SMA connectors

KR Electronics, Inc.  
91 Avenel Street  
Avenel, NJ 07001

Web [www.krfilters.com](http://www.krfilters.com)  
Email [sales@krfilters.com](mailto:sales@krfilters.com)  
Phone (732) 636-1900  
Fax (732) 636-1982