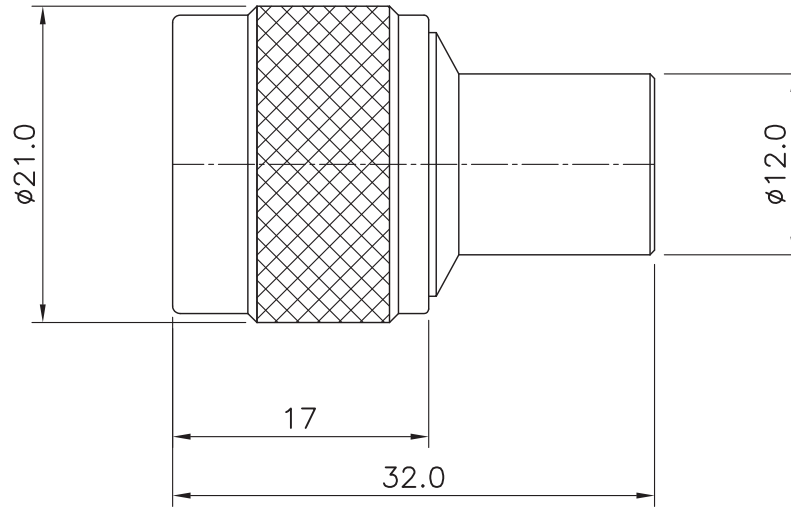


1 2 3 4 5 6

No.	Revision	Date	Name
△			
△			

RoHS Compliant



SPECIFICATIONS

Frequency Range----- DC-6GHz
 VSWR-----1.20:1Max.
 Impedance----- 50 Ohms
 Input Power----- 3Watts
 Oper Temp Range----- -50°C~+125°C

N CONNECTOR----- Brass/Nickel plated
 Conductors----- Brass/Gold plated

N-Type MALE Termination

NO.	DESCRIPTION	Q'TY	MATERIAL	FINISH	REMARKS.
PARTS No.	31-901-00	NAME	N-MALE TERMINATION		APPROVED
MATERIAL	FINISH	TOLERANCES		CHECKED	
		OTHERWISE SPEC. ±0.05 ANGLES ±1°			
SCALE	UNIT	mm		DESIGNED	S.J.LEE
		DWG NO. 1N-901-00		DATE.	27/MAR/2007

CAGE. **5AVK2**

Cross RF
 web: www.crossrf.com

D

C

B

A