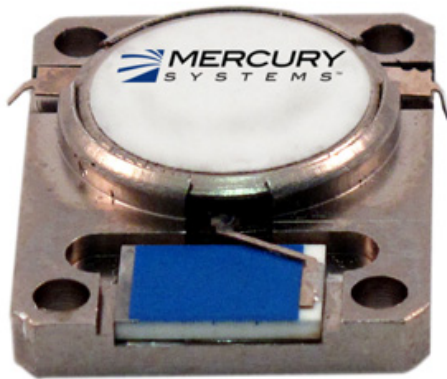


SPEC SHEET

DCF1900-T0130

1.93 GHz to 1.99 GHz

DCF Drop-in ISOLATORS & CIRCULATORS



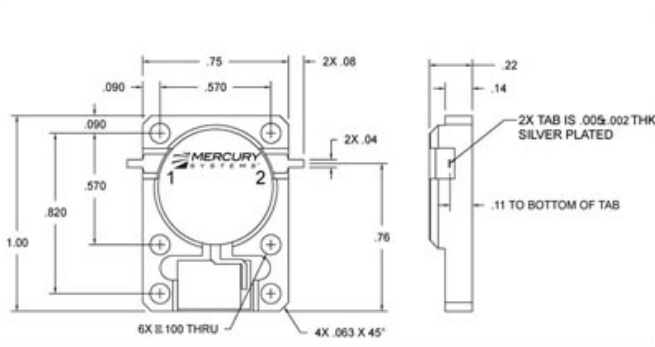
Specifications

RF Frequency	1.93 GHz to 1.99 GHz
Isolation	20 dB (min)
Insertion Loss	0.3 dB (max)
VSWR	1.25:1
Peak Power	1000 Watts (max)
Average Power	100 Watts (max)
Power Forward	125 Watts
Power Reverse	2 Watts
Package Size	0.75 x 0.75 x 0.22"

Environmental

Operating Temperature	-40 to 85 °C
-----------------------	--------------

Notes



MERCURY COMMERCIAL ELECTRONICS

Microwave RF Components | Manteca, CAL | 1-209-825-3977 | rf.mrcy.com
 Specifications subject to change without notice

