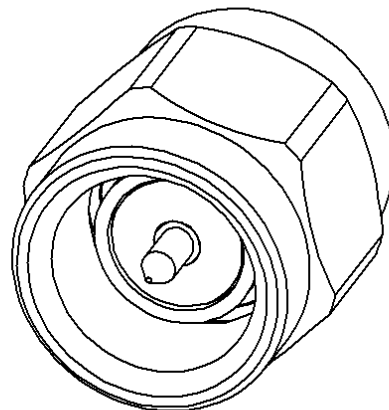
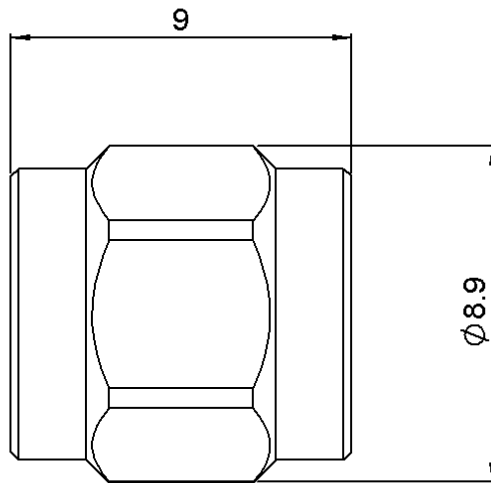


COAXIAL TERMINATION

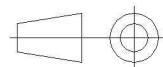
R404.212.000

SMA MALE 18 GHZ 1W

Series : **TERMINATION**



Scale 1:1



All dimensions are in mm.

COMPONENTS	MATERIALS	PLATING(μm)
BODY	STAINLESS STEEL	GOLD 2.5 OVER NICKEL 1
CENTER CONTACT	BERYLLIUM COPPER	
OUTER CONTACT	STAINLESS STEEL	
INSULATOR	PTFE	
GASKET		
SUBSTRATE	ALUMINA	
RESISTOR	THIN FILM	
OTHERS PARTS		

Issue : 0838 F

In the effort to improve our products, we reserve the right to make changes judged to be necessary.



COAXIAL TERMINATION

R404.212.000

SMA MALE 18 GHZ 1W

Series : **TERMINATION**

ELECTRICAL CHARACTERISTICS

Frequency (GHz)	DC - 4	4 - 8	8 - 12.4	12.4 - 18
V.S.W.R (≤)	1.08	1.12	1.16	1.20

Operating Frequency Range	DC - 18	GHz
Impedance	50	Ω
DC Resistance	50	Ω ± 5%
Peak power at 25°C (1μs, 1%)	100	W
Average power at 25°C	1	W (Free Air Cooled)
		W (Conduction Cooled)

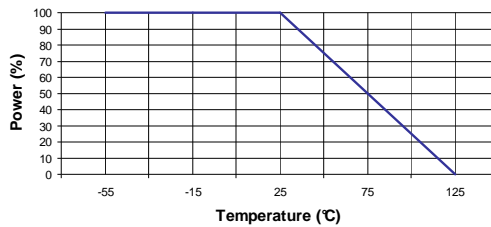
MECHANICAL CHARACTERISTICS

Connectors	SMA	Male	MIL C 39012
Weight	2,5100 g		

ENVIRONMENTAL CHARACTERISTICS

Operating temperature range	-55 / +125 °C
Storage temperature range	-55 / +125 °C

Power derating Versus temperature



SPECIFICATION

OTHER CHARACTERISTICS

100 connects or disconnects max

Issue : 0838 F

In the effort to improve our products, we reserve the right to make changes judged to be necessary.

