

WR112 to N WAVEGUIDE TO COAXIAL ADAPTER

SMW112ACN

SPECIFICATIONS

FREQUENCY: 7.05-10 GHZ

VSWR: 1.25:1

MATERIAL BODY: Al/Cu

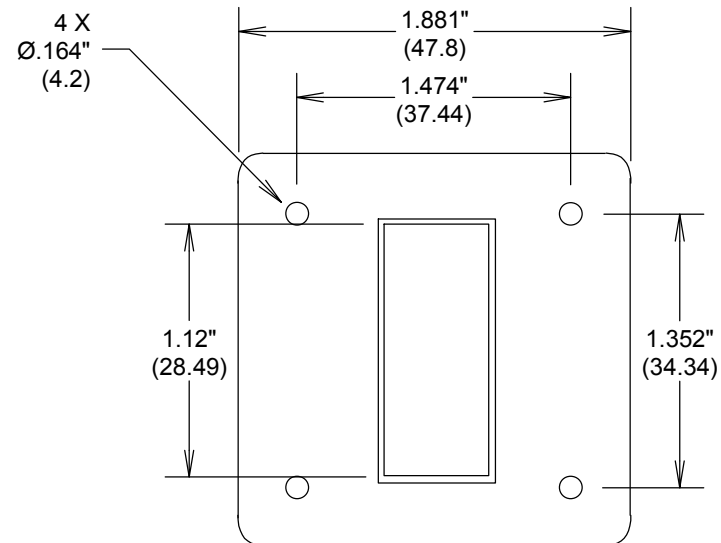
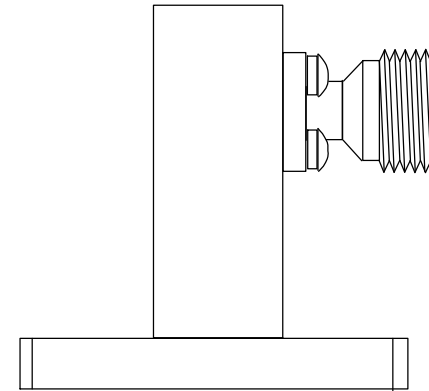
MATERIAL CONNECTORS:

BODY: NICKLE PLATED BRASS

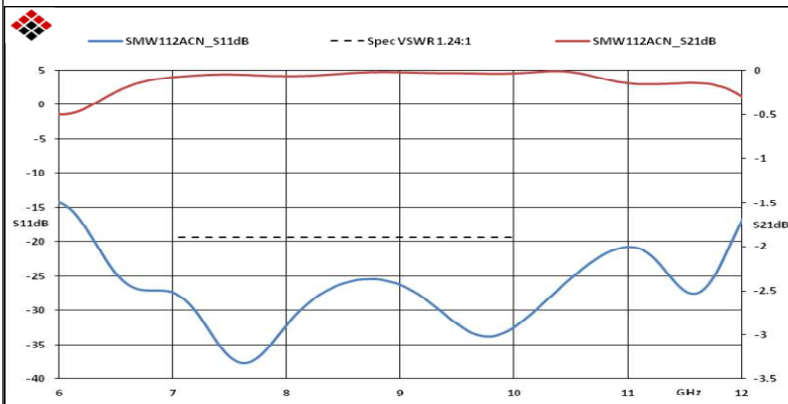
CONTACTS: BeCu Au PLATED 30μ-in

CONN INTERFACE: MIL-STD-883

ROHS COMPLIANT



MEASUREMENTS BELOW ARE TYPICAL



ALL DIMENSIONS IN inches(MM) Typical

FAIRVIEW MICROWAVE INC.

ALLEN, TX 75013 WWW.FAIRVIEWMICROWAVE.COM

TITLE

WR112 to N WAVEGUIDE TO COAXIAL ADAPTER

SIZE

A

CAGE CODE

3FKR5

DWG NO

SMW112ACN

REV

B

SCALE

SHEET