

# DC BLOCKS

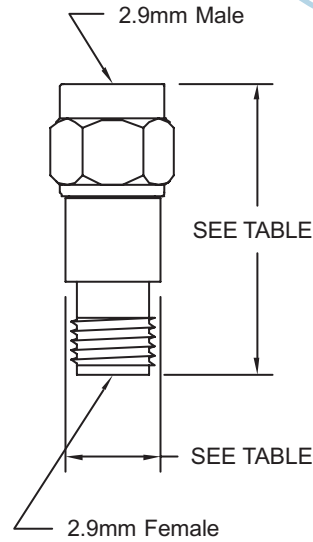
2.9mm, 10 MHz - 26.5 GHz, 200 Volts

## SPECIFICATIONS:

Models: 8060, 8061, 8062, 8063, 8064, 8065, 8067, 8068

<b>Electrical:</b>	
Frequency Range	10 MHz - 26.5 GHz
VSWR	1.35:1 Max.
Impedance	50 Ohms
Insertion Loss	0.5 dB Max.
Voltage Rating	200 Volts Max.
Operating Temp. Range	-65°C to +125°C
<b>Mechanical:</b>	
Connectors	Passivated Stainless Steel
Mates both Mechanically and Electrically with SMA, 3.5mm and K* Series Connectors	
Conductors	Gold Plated Beryllium Copper
<b>Housings:</b>	
Inner Only Blocks	Passivated Stainless Steel
Outer and Inner/Outer Blocks	High Temperature Plastic

\* K is a Trademark of Anritsu Corp.



Model Shown 8060

TABLE						
MODEL NUMBER	BLOCK TYPE	CONN. CONFIG.	WEIGHT GRAMS MAX.	DIAMETER	OVERALL LENGTH	
					INCHES	MILLIMETERS
8060	INNER ONLY	MALE/ FEMALE	5.3	Ø.280 [7.11]	.855 ±.020	21.72 ±0.51
8061	OUTER ONLY		5.5	Ø.500 [12.7]	.860 ±.020	21.84 ±0.51
8062	INNER-OUTER					
8063	INNER ONLY	FEMALE/ FEMALE	7.2	Ø.280 [7.11]	.920 ±.015	23.37 ±0.38
8064	OUTER ONLY		6.2	Ø.500 [12.7]	.925 ±.015	23.50 ±0.38
8065	INNER-OUTER					
8066	INNER ONLY	MALE/ MALE	7.0	Ø.360 [9.14]	.965 ±.030	24.51 ±0.76
8067	OUTER ONLY		6.0	Ø.500 [12.7]	.970 ±.030	24.64 ±0.76
8068	INNER-OUTER					

Note: Dimensions in Brackets are Expressed in Millimeters and are for Reference Only.

8060: REV H



Aeroflex / Inmet, Inc. • 300 Dino Drive, Ann Arbor, MI 48103 • U.S.A.  
888-244-6638 or 734-426-5553 • FAX: 734-426-5557  
www.aeroflex-inmetcorp.com • sales@aeroflex-inmetcorp.com