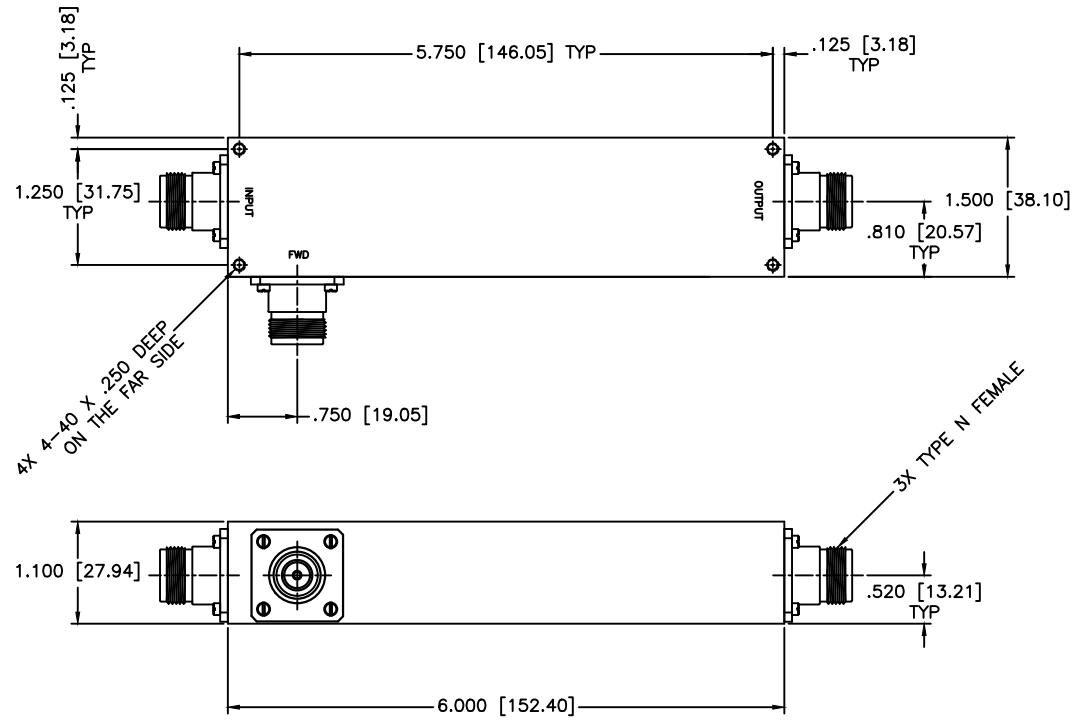


REVISIONS				
ZONE	REV	DESCRIPTION	DATE	APPROVED



SPECIFICATIONS

- FREQUENCY RANGE: 2-2000 MHz
- COUPLING: 20±1.0dB
- FLATNESS: ±1.0dB
- INSERTION LOSS: 1.75dB Max.
- DIRECTIVITY: 20dB Min.
- VSWR: 1.25:1 Max.
- POWER: 25W CW

MATERIAL:		MCLI MICROWAVE COMMUNICATIONS LABORATORIES INC. 7255 30TH AVE. N. SAINT PETERSBURG, FL 33710 TEL: (727) 344-6254 FAX: (727) 381-6116 http://WWW.MCLI.COM	SCALE:	N/A
			SHEET:	N/A
DRAWING TITLE:		HIGH POWER DIRECTIONAL COUPLER		
PART NO.:		HCL-7-20		
DRAWN: Paiboon Luekhamhan DATE: 07-20-2011	DATE: 07-20-2011	PROPRIETARY NOTICE: THE INFORMATION IN THIS DRAWING IS PROPRIETARY AND SHALL NOT BE USED OR DISCLOSED WITHOUT WRITTEN PERMISSION FROM MICROWAVE COMMUNICATIONS LABORATORIES INC. (MCLI)	CAGE CODE:	OD2L5
APPROVED: T. Nguyen	DATE: 07-20-2011	THIRD ANGLE PROJECTION	SIZE: C DO NOT SCALE THE DRAWING	REV: N/A DWG NO. 85776