



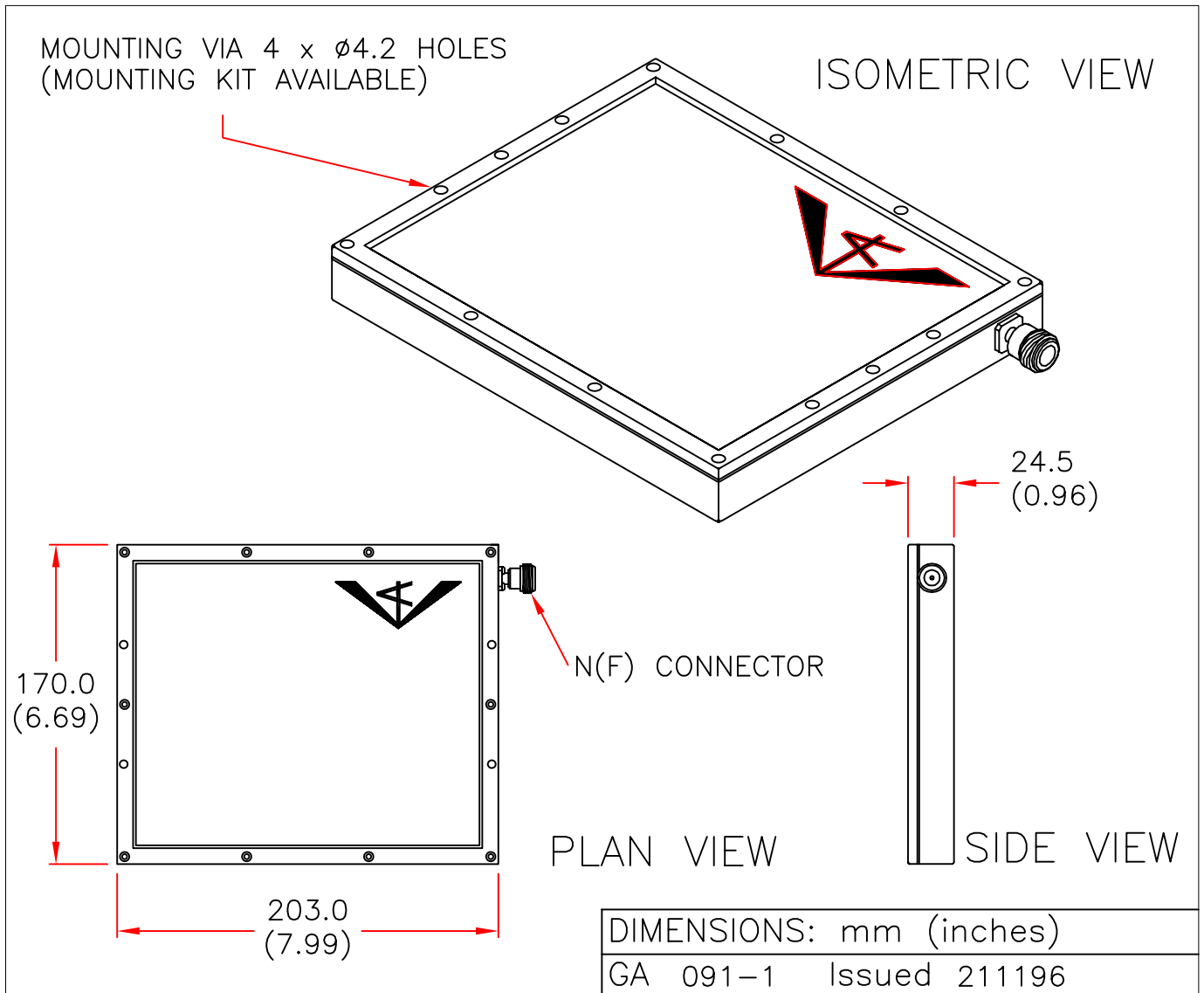
EUROPEAN ANTENNAS



FLAT PANEL ANTENNA

MODEL: FPA 13-26R/091

FREQUENCY: 2.4 – 2.7 GHz	GAIN: 13 dBiC
POLARISATION: R.H. Circular	BEAMWIDTH: 40° x40°
AXIAL RATIO: 2 – 3 dB Typical	VSWR: 1.5 : 1
POWER RATING: 20 W	FRONT TO BACK: 30 dB
TEMPERATURE: -20°C to +50°C	MASS: 1.2 Kg/2.64 lbs
FINISH: Matt Black/Plated Al.	WIND LOADING: 5.8Kg/12.9lbs @100mph



EUROPEAN ANTENNAS LTD.

TEL: +44 (0)1638 731888

LAMBDA HOUSE, CHEVELEY,
NEWMARKET, SUFFOLK, CB8 9RG,
UNITED KINGDOM

FAX: +44 (0)1638 731999

European Antennas Ltd has a policy of continuous development and therefore stress that the data contained on this sheet should be used for guidance only.