

**OUTPUT****Frequency**

10 MHz

**Level**

+13 dBm ± 2 dB into 50 ohms

**STABILITY****Aging (typical)**5 x 10<sup>-10</sup> per day after 30 days operating3 x 10<sup>-8</sup> second year2 x 10<sup>-8</sup> per year, thereafter**Phase Noise L(f)**

	Standard	Premium
10 Hz	-130 dBc/Hz	-140 dBc/Hz
100 Hz	-155 dBc/Hz	-160 dBc/Hz
1 kHz	-165 dBc/Hz	-167 dBc/Hz
10 kHz	-165 dBc/Hz	-170 dBc/Hz

**Temperature Stability****E:** ±1 x 10<sup>-9</sup>, 0° to +50°C (Ref +25°C)**F:** ±2 x 10<sup>-9</sup>, -20° to +70°C (Ref +25°C)**G:** ±5 x 10<sup>-9</sup>, -55° to +85°C (Ref +25°C)**Harmonics**

≤ -30 dBc

**Spurious**

≤ -80 dBc, excluding power supply line related spurs

**MECHANICAL****Packaging**

A: Solder sealed steel can with brackets

B: Solder sealed steel can with studs

**Dimensions**

1.5 x 1.5 x 3"

**Connectors**

SMA(f) and solder eyelets

**POWER REQUIREMENTS****Warm-Up Power**

≤ 4 Watts for 5 minutes at +25°C

**Total Power**

≤ 1.3 Watts at +25°C

**Supply Voltage**

+15 VDC ±5% or +12 VDC ±5%

**ADJUSTMENT**

(consult factory for non-standard tuning options)

**Mechanical Tuning**±1 x 10<sup>-6</sup>**Electrical Tuning**±2 x 10<sup>-7</sup>, ±5 VDC, Negative slope**CRYSTAL****Type**

10 MHz SC-cut

REV	DATE	REVISION RECORD	DWN	AUTH
-	12-2-13	Initial Release	CB	

## Ordering Options

-XX	Voltage	Phase Noise L(f)	Package	Temp (Ref +25°C)
01	+15V	Standard	A	E
02	+15V	Standard	A	F
03	+15V	Standard	A	G
04	+15V	Standard	B	E
05	+15V	Standard	B	F
06	+15V	Standard	B	G
11	+15V	Premium	A	E
12	+15V	Premium	A	F
13	+15V	Premium	A	G
14	+15V	Premium	B	E
15	+15V	Premium	B	F
16	+15V	Premium	B	G
21	+12V	Standard	A	E
22	+12V	Standard	A	F
23	+12V	Standard	A	G
24	+12V	Standard	B	E
25	+12V	Standard	B	F
26	+12V	Standard	B	G
31	+12V	Premium	A	E
32	+12V	Premium	A	F
33	+12V	Premium	A	G
34	+12V	Premium	B	E
35	+12V	Premium	B	F
36	+12V	Premium	B	G

**Wenzel Associates, Inc.**

Austin, Texas

Title:

**10 MHz-SC Small Fry Crystal Oscillator**

P/N:

**501-27519-xx**

Rev:

-

Date:

**12-2-13**

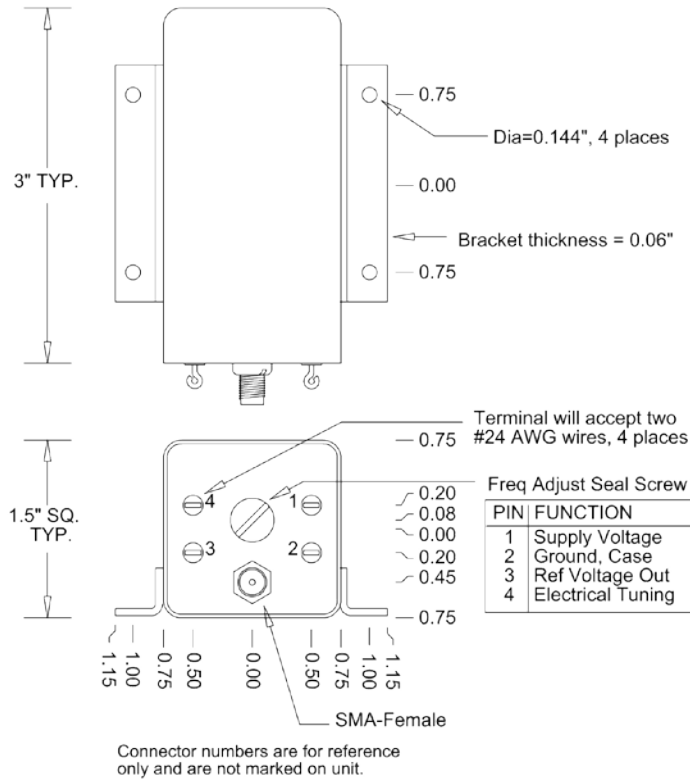
Drawn:

Ref:

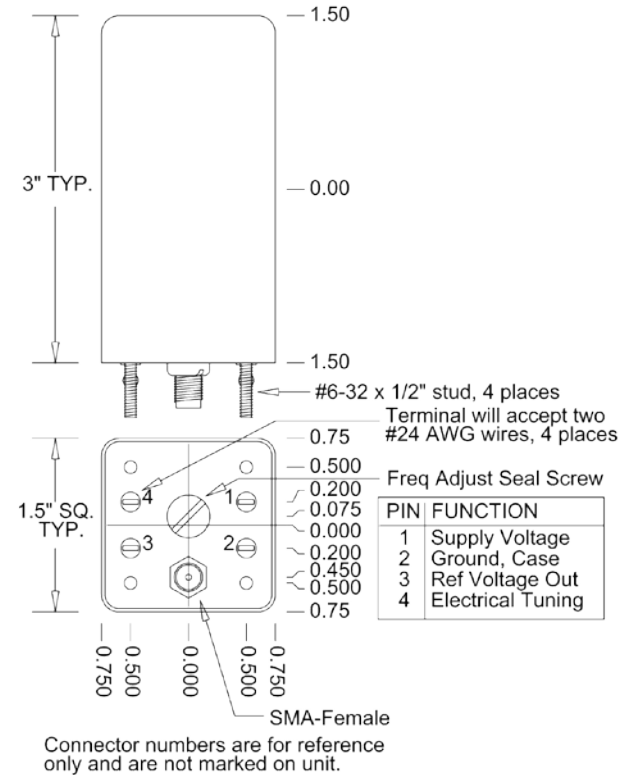
Tolerances:  
(except as noted)  
Dimensions are in inches0.XX Dec:  
**±0.030"**0.XXX Dec:  
**±0.010"**FSCM:  
**62821**

Page 1 of 2

Package A



Package B



**Wenzel Associates, Inc.**

Austin, Texas

Title:

**10 MHz-SC Small Fry Crystal Oscillator**

P/N: <b>501-27519-xx</b>	Rev: <b>-</b>	Date: <b>12-2-13</b>	Drawn:	Ref:
-----------------------------	------------------	-------------------------	--------	------

Tolerances: (except as noted) Dimensions are in inches	0.XX Dec: <b>±0.030"</b>	0.XXX Dec: <b>±0.010"</b>	FSCM: <b>62821</b>	Page 2 of 2
--	-----------------------------	------------------------------	-----------------------	-------------