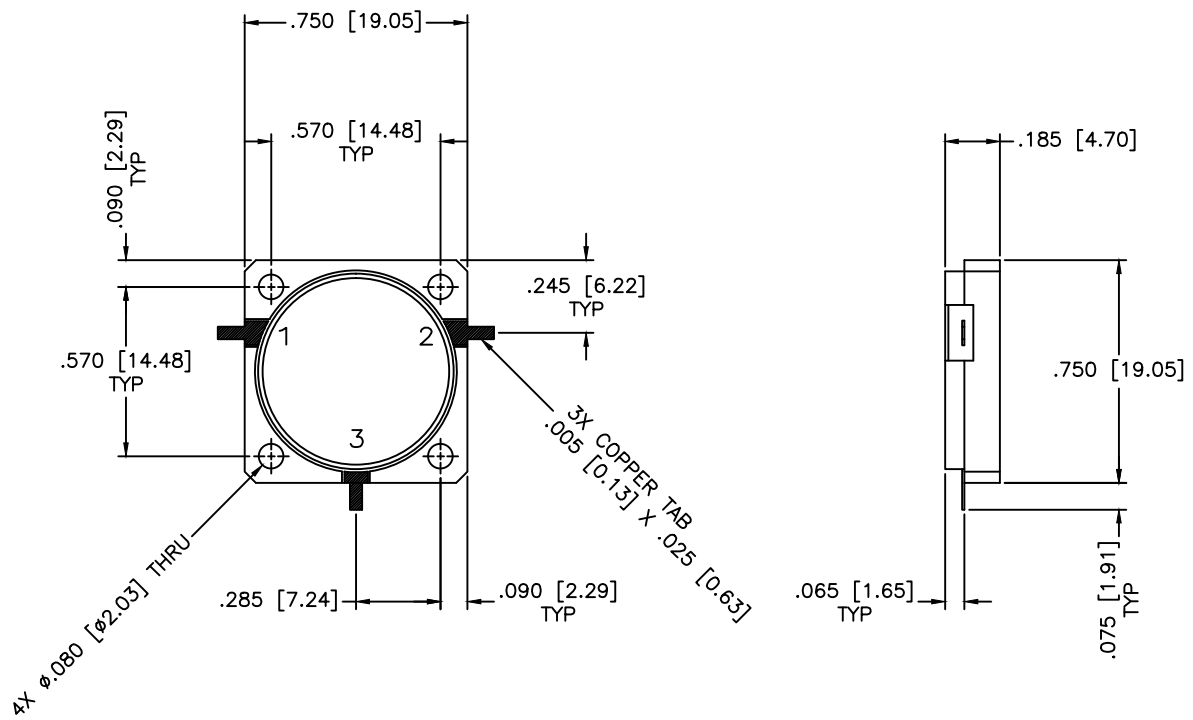


REVISIONS				
ZONE	REV	DESCRIPTION	DATE	APPROVED



SPECIFICATIONS

- Frequency Range: 3.1–3.5 GHz
- Insertion Loss: 0.4dB Max.
- Isolation: 20dB Min.
- VSWR: 1.20:1 Max.
- Impedance Nominal: 50 Ohms
- Power Rating: 50W CW, 10W Rev.
- Operating Temperature: -45°C to +85°C
- Storage Temperature: -55°C to +100°C

MATERIAL:		MCLI MICROWAVE COMMUNICATIONS LABORATORIES INC. 7255 30TH AVE. N. SAINT PETERSBURG, FL 33710 TEL: (727) 344-6254 FAX: (727) 381-6116 http://WWW.MCLI.COM	SCALE:	N/A
			SHEET:	N/A
UNLESS OTHERWISE SPECIFIED: TOLERANCES IN (INCHES) OR [mm] (MILLIMETERS) FRACTIONS: $\pm 1/64$ DECIMALS: $\pm 0.1 \pm 0.005$ ANGLE: $\pm 1/2^\circ$		DRAWING TITLE: DROP-IN ISOLATOR		
DRAWN: Paiboon Luekhamhan		PART NO. MC-21		
DATE: 01-05-2005		CAGE CODE: OD2L5		
APPROVED: T. Nguyen		DATE: 01-05-2005		
THIRD ANGLE PROJECTION		SIZE: N/A	REV: N/A	DWG NO. 82170
		DO NOT SCALE THE DRAWING		