

ATTENUATORS 7/16 - DIN

UP TO 4 GHz
200 WATTS



MODELS: XD200W-XX, XD200W-XXF, XD200W-XXM

SPECIFICATIONS:

Electrical:

Frequency Range _____ DC - 4 GHz
 Standard Freq. Values _____ 2.5 & 4 GHz
 Standard dB Values _____ 3, 6, 10, 20, 30 & 40 dB
 Attenuation Accuracy DC-1.5 GHz 1.5-2.5GHz 2.5-4GHz
 3 & 6 dB _____ ±0.50 dB _____ ±0.50 dB _____ ±0.75 dB
 10, 20, 30 & 40dB _____ ±0.75 dB _____ ±1.0 dB _____ ±1.5 dB
 Input VSWR (Max.)
 3, 6, 10 & 20 dB _____ 1.15:1 _____ 1.25:1 _____ 1.35:1
 30 & 40 dB _____ 1.15:1 _____ 1.25:1 _____ 1.50:1
 Input Power _____ 200 Watts Avg. @ +25°C
 _____ Derated Linearly to 40 Watts @ +125°C
 Peak Power _____ 2 kW Max.
 _____ (5uSec Pulse, .05% Duty Cycle)
 Impedance _____ 50 Ohms
 Operating Temp. Range _____ -54°C to +125°C

Mechanical:

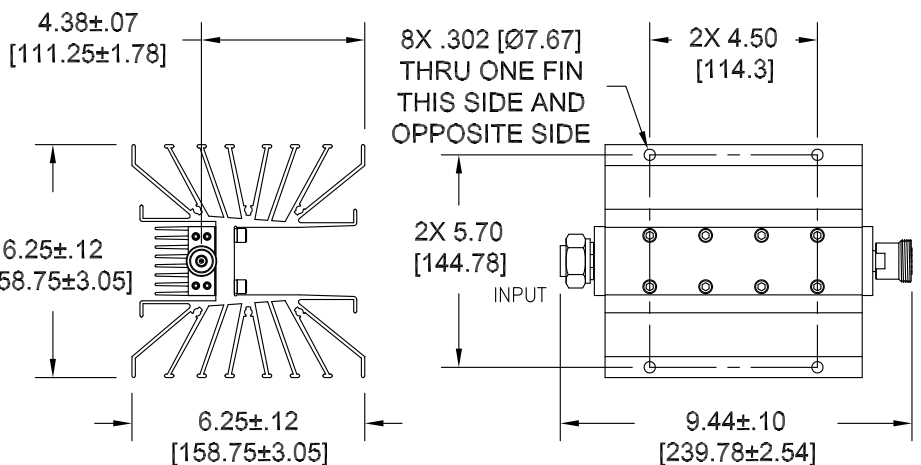
7/16 DIN Connectors _____ Silver or White Bronze
 _____ Mates with DIN 47 223 _____ Plated Brass
 Conductors _____ Silver or White Bronze
 _____ Plated Beryllium Copper
 Housing _____ Anodized Aluminum

Note: Units are unidirectional. Units must be positioned in such a way as to allow free air flow around fins to assure performance.

Model Number: **XD200W-XX**
 Male/Female Connectors
 Length: 9.44 ±.10 [239.78 ±2.54]
 Pictured

Model Number: **XD200W-XXF**
 Female/Female Connectors
 Length: 9.57 ±.10 [243.08 ±2.54]

Model Number: **XD200W-XXM**
 Male/Male Connectors
 Length: 9.31 ±.10 [236.47 ±2.54]



HOW TO ORDER:

Model Number: **XD200W-XXY**

Freq. Range
 2 = DC - 2.5 GHz
 4 = DC - 4 GHz

Connector Config.
 = Male/Female
 F = Fem/Fem
 M = Male/Male

dB Value

Ordering Examples:

Model Number: **2D200W-10**
 DC - 2.5 GHz, 10 dB; Male/Fem

Model Number: **2D200W-40F**
 DC - 2.5 GHz, 40 dB; Fem/Fem

Model Number: **4D200W-30M**
 DC - 4 GHz, 30 dB; Male/Male

Note: Dimensions in Brackets are Expressed in Millimeters and are for Reference Only.

Design specifications are subject to change without notice.

Contact factory for technical specifications before purchasing or use.

XD200W-ATT; REV L

300 Dino Drive • Ann Arbor, MI 48103-9457 U.S.A. • 888-244-6638 or 734-426-5553 • FAX 734-426-5557 • inmet.apitech.com