

ATTENUATORS

Type N / Conduction Cooled, DC - 4 GHz, 50 Watts

SPECIFICATIONS:

Models: 2042-XX, 2042-XXF & 2042-XXM

RoHS
Compliant

Electrical:	
Frequency Range _____	DC - 4.0 GHz
Standard dB Values* _____	3, 6, 10, 20, 30 & 40 dB
Attenuation Accuracy _____	DC - 2 GHz 2 - 4 GHz
3 & 6 dB _____	±0.30 dB ±0.50 dB
10 & 20 dB _____	±0.50 dB ±0.75 dB
30 & 40 dB _____	±1.00 dB ±1.50 dB
VSWR _____	
DC - 2 GHz _____	1.25:1 Max.
2 - 4 GHz _____	1.35:1 Max.
Input Power** _____	50 Watts Avg. @ 25°C
	Derated Linearly to 5 Watts @ +125°C
Peak Power _____	1000 Watts Max.
	(5uSec Pulse, .05% Duty Cycle)
Impedance _____	50 Ohms
Operating Temp Range _____	-55°C to +125°C
Mechanical:	
Type N Connectors _____	Passivated Stainless Steel
Conductors _____	Gold Plated Beryllium Copper
Housing _____	Anodized Aluminum



** Power handling capacity is dependant upon proper heatsinking. Surface temperature of unit shall not exceed 125°C for specifications shown. Unit is a unidirectional device. Input shall be at male port unless otherwise specified.

Model Number: **2042-XX**

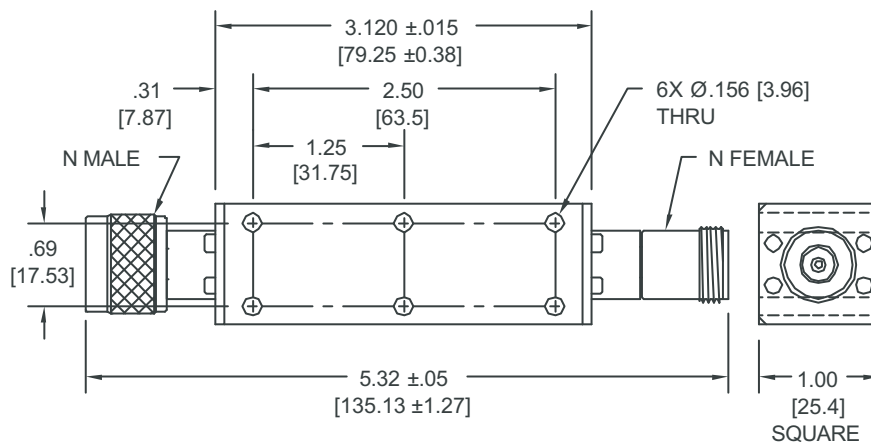
Male/Female Connectors
Length: 5.32 ±.05 [135.13 ± 1.27]
Pictured

Model Number: **2042-XXF**

Female/Female Connectors
Length: 5.40 ±.05 [137.16 ± 1.27]

Model Number: **2042-XXM**

Male/Male Connectors
Length: 5.24 ±.05 [133.10 ± 1.27]



HOW TO ORDER:

Model Number: **2042-XXY**

Connector Configuration
= Male/Female
F = Fem/Fem
M = Male/Male

dB Value

Ordering Examples:

Model Number: **2042-20**
DC - 4 GHz; 20 dB; Type N - Male/Fem

Model Number: **2042-02F**
DC - 4 GHz; 2 dB; Type N - Fem/Fem

Note: Dimensions in Brackets are Expressed in Millimeters and are for Reference Only.

2042: REV K



Aeroflex / Inmet, Inc. 300 Dino Drive, Ann Arbor, MI 48103 • U.S.A.
888-244-6638 or 734-426-5553 • FAX: 734-426-5557
www.aeroflex.com/inmet • inmet-sales@eroflex.com