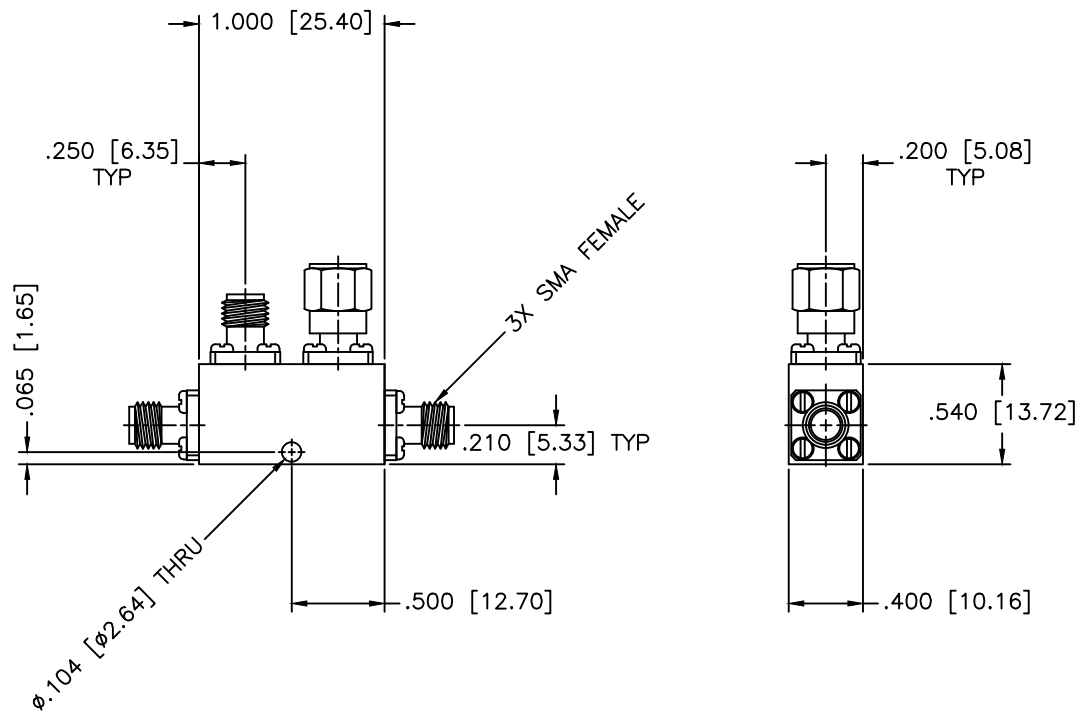


REVISIONS				
ZONE	REV	DESCRIPTION	DATE	APPROVED



**SPECIFICATIONS**

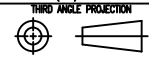
- Frequency Range: 11.7–12.2 GHz
- Coupling:  $6 \pm 1.0$  dB
- Frequency Sensitivity:  $\pm 0.75$  dB
- Insertion Loss: 2.0 dB Max.
- Directivity: 15 dB Min.
- VSWR: 1.45:1 Max.
- Power Rating: 2W Avg, 1kW Peak

MATERIAL:			MICROWAVE COMMUNICATIONS LABORATORIES INC. 7255 30TH AVE. N. SAINT PETERSBURG, FL 33710 TEL: (727) 344-6254 FAX: (727) 381-6116 http://WWW.MCLI.COM		SCALE:	N/A
			UNLESS OTHERWISE SPECIFIED: TOLERANCES IN (INCHES) OR [mm] (MILLIMETERS) FRACTIONS: $\pm 1/64$ DECIMALS: $\pm 0.01 \pm 0.005$ ANGLE: $\pm 1/2^\circ$	DRAWING TITLE:		SHEET:
			DIRECTIONAL COUPLER			
DRAWN:		DATE:	PART NO.			
Paiboon Luekhamhan		01-14-2009	C11-6			
APPROVED:		DATE:	CAGE CODE:	SIZE:	REV:	DWG NO.
T. Nguyen		01-14-2009	OD2L5	A	N/A	84056
			DO NOT SCALE THE DRAWING			



UNLESS OTHERWISE SPECIFIED:  
 TOLERANCES  
 IN (INCHES) OR [mm] (MILLIMETERS)  
 FRACTIONS:  $\pm 1/64$   
 DECIMALS:  $\pm 0.01 \pm 0.005$   
 ANGLE:  $\pm 1/2^\circ$

PROPRIETARY NOTICE:  
 THE INFORMATION IN THIS DRAWING IS PROPRIETARY  
 AND SHALL NOT BE USED OR DISCLOSED WITHOUT WRITTEN  
 PERMISSION FROM MICROWAVE COMMUNICATIONS  
 LABORATORIES INC. (MCLI)



DIRECTIONAL COUPLER

C11-6

CAGE CODE: OD2L5    SIZE: A    REV: N/A    DWG NO.: 84056

DO NOT SCALE THE DRAWING