

## Coaxial Isolators

Part Number: KTCI101-S1

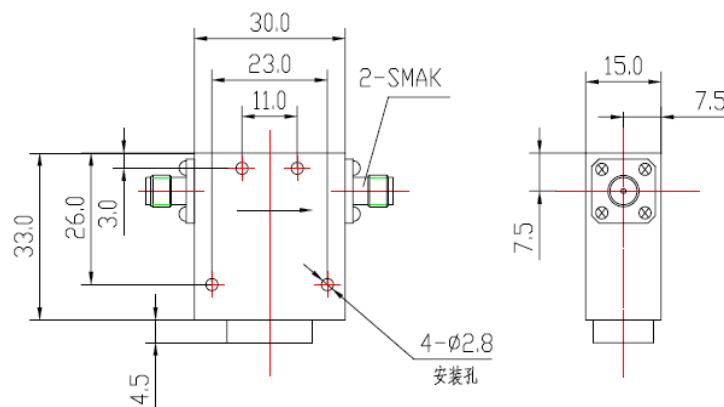
### Main Features:

- Frequency Range: 0.8GHz - 1.2GHz
- High Isolation, Low Insertion Loss, Small Size
- Wide Operating Temperature : -30°C~+70°C
- Commercial, Military and Space Applications

### Electrical Specifications at Room Temperature:

Part Number	Freq. Range (GHz)	Bandwidth Max. (MHz)	Insertion Loss Max. (dB)	Isolation Min. (dB)	VSWR Max.	Reverse Power (W)	Connector Type
KTCI101-S1	0.8 - 1.2	70	0.3	25	1.20	10	SMA
KTCI101-S1	0.8 - 1.2	200	0.4	20	1.25	10	SMA

### Mechanical Dimensions (mm):



### HOW TO ORDER

