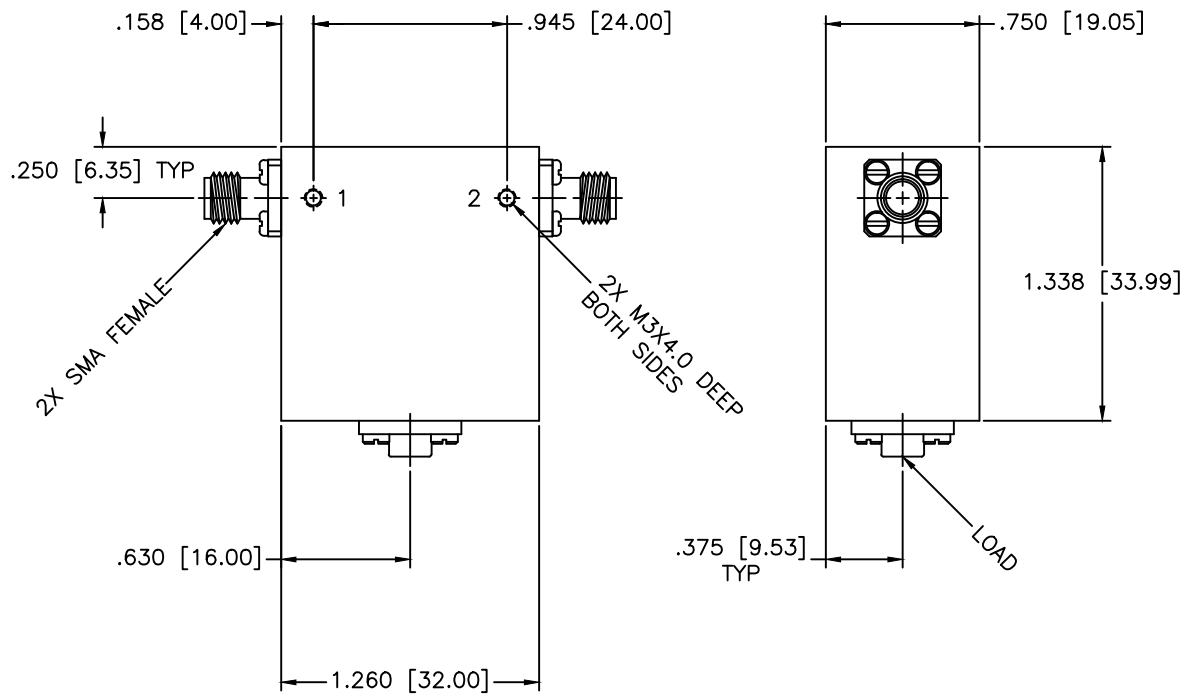


REVISIONS				
ZONE	REV	DESCRIPTION	Date	APPROVED



SPECIFICATIONS

Frequency Range: 3–6 GHz
 Isolation: 17dB Min.
 Insertion loss: 0.6dB Max.
 VSWR: 1.35:1 Max.
 Power Avg, Peak: 25W, 250W
 Operating Temperature: -30°C to $+70^{\circ}\text{C}$

MATERIAL:			MICROWAVE COMMUNICATIONS LABORATORIES INC. 7255 30TH AVE. N. SAINT PETERSBURG, FL 33710 TEL: (727) 344-6254 FAX: (727) 381-6116 http://WWW.MCLI.COM		SCALE: N/A
UNLESS OTHERWISE SPECIFIED: TOLERANCES IN (INCHES) OR [mm] (MILLIMETERS) FRACTIONS: $\pm 1/64$ DECIMALS: $\pm 0.01 \pm 0.005$ ANGLE: $\pm 1/2^{\circ}$			DRAWING TITLE: COAXIAL ISOLATOR		SHEET: N/A
DRAWN: Paiboon Luekhamhan		DATE: 06-06-2001		PART NO.: IS-16	
APPROVED: T. Nguyen		DATE: 06-06-2001		CAGE CODE: OD2L5	SIZE: N/A REV: N/A DWG NO.: 81808
THIRD ANGLE PROJECTION				DO NOT SCALE THE DRAWING	