

2.92 (K) FEMALE ISOLATOR 27-31GHZ

SFI2731

SPECIFICATIONS

ELECTRICAL

FREQUENCY: 27-31 GHz
 IMPEDANCE: 50 OHMS
 INSERTION LOSS: 0.60 dB MAX
 VSWR: 1.25:1 MAX
 POWER (AVG): 5W
 REFLECTIVE POWER (TERM): 2W
 PEAK POWER: 30W
 ISOLATION: 20 dB MIN

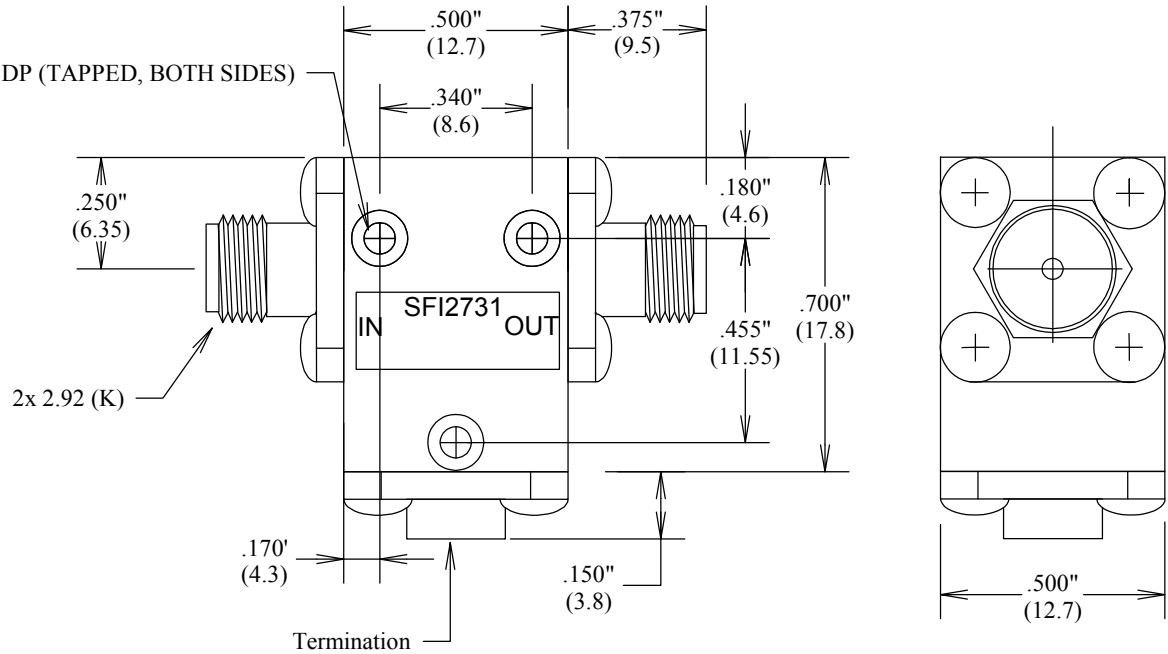
MECHANICAL

CONNECTORS: 2.92-F; PASS. STAINLESS STEEL
 CONTACT PINS: BeCu, Au PLATED

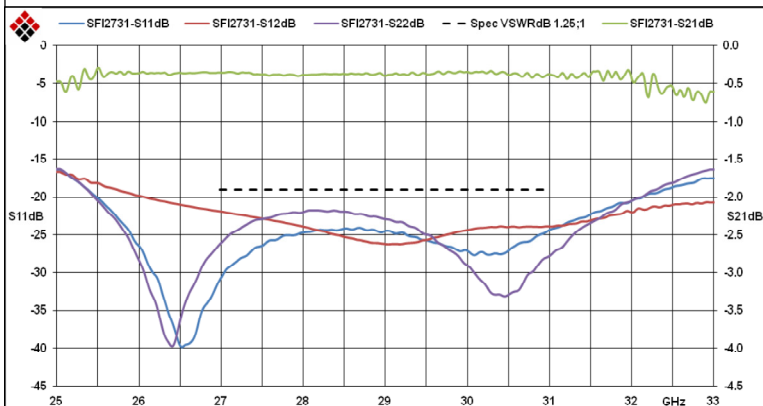
OPERATING TEMPERATURE: -20°C TO +65°C

ROHS COMPLIANT

3x 2-56 X 0.15 DP (TAPPED, BOTH SIDES)



MEASUREMENTS BELOW ARE TYPICAL



ALL DIMENSIONS IN inches(mm) Typical

FAIRVIEW MICROWAVE INC.

ALLEN, TX 75013 WWW.FAIRVIEWMICROWAVE.COM

TITLE

2.92 (K) FEMALE ISOLATOR 27-31GHZ

SIZE	CAGE CODE	DWG NO	REV
A	3FKR5	SFI2731	--
SCALE	SHEET		