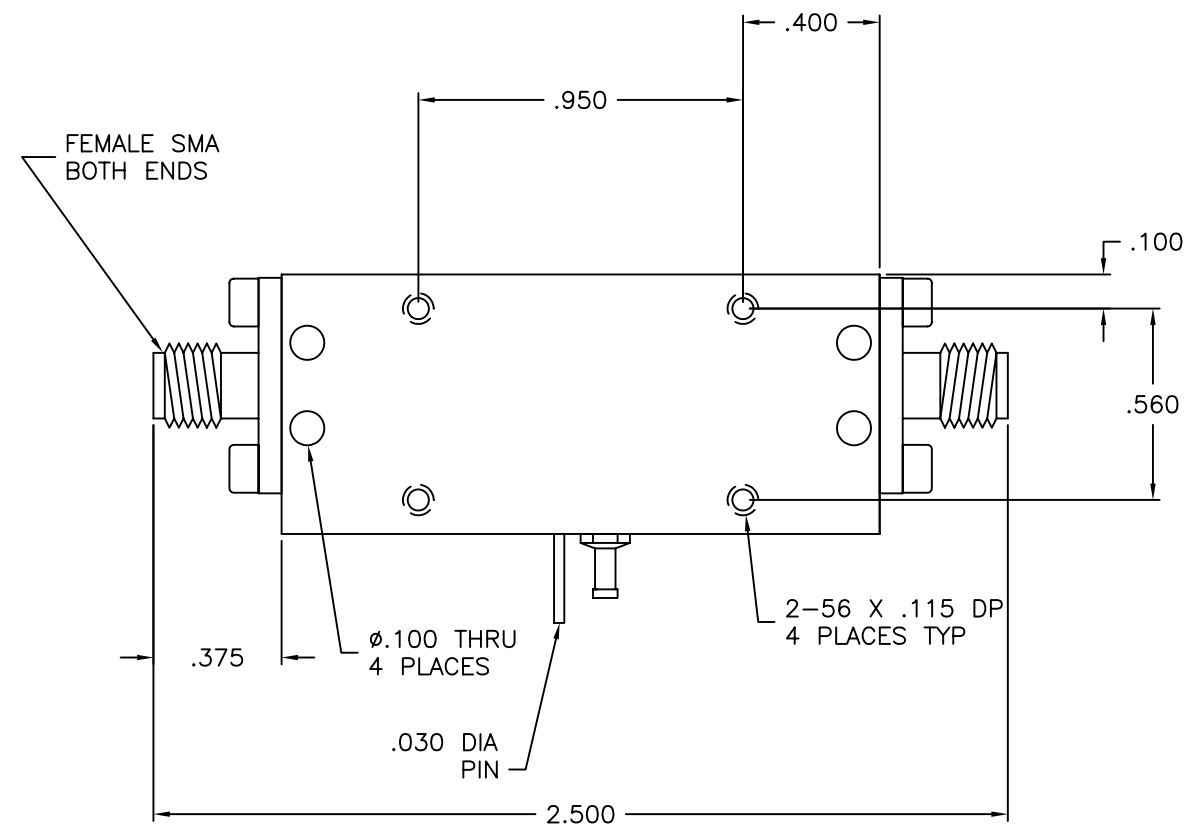
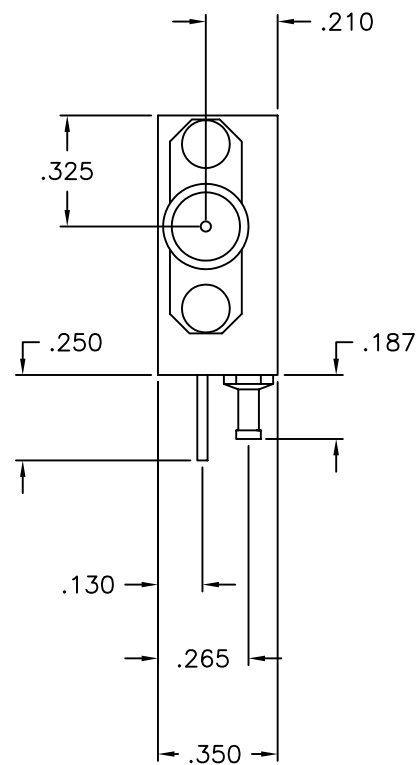
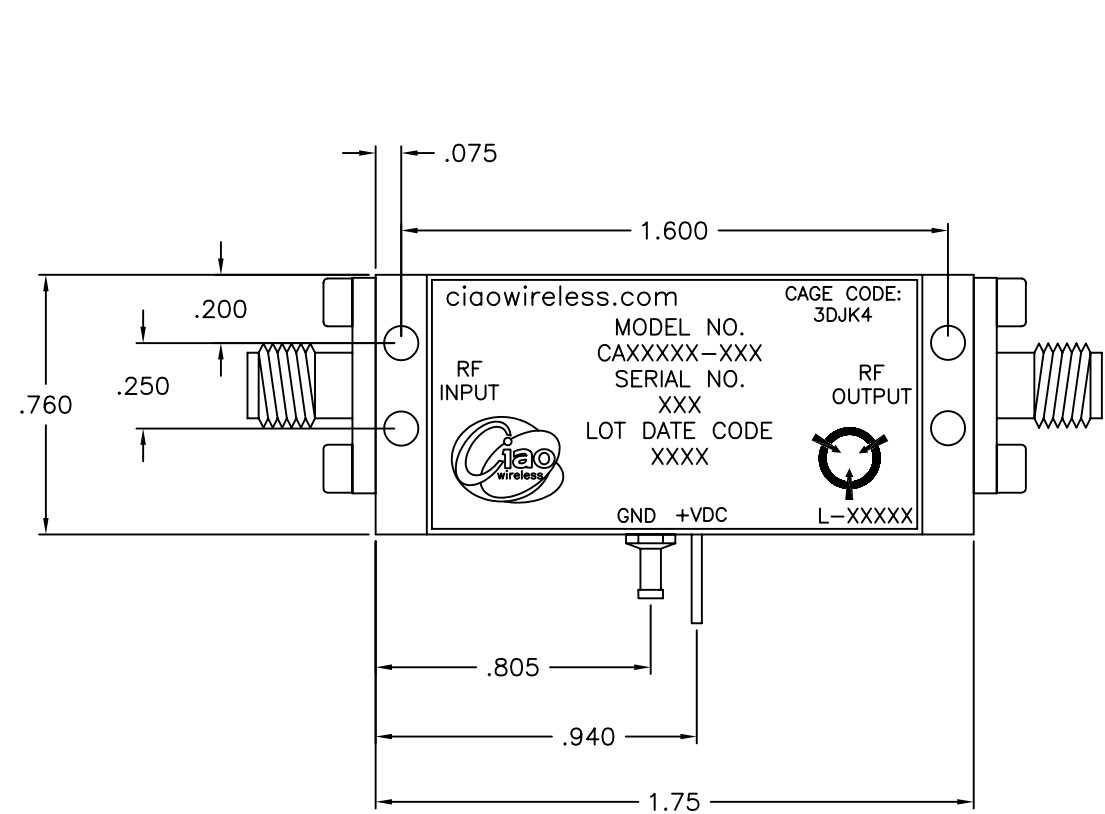


REVISIONS					
ZONE	REV	DESCRIPTION	ECO#	DATE	APPROVED
	A	RELEASED		4/1/04	J. HARRISON



ITEM NO.	QTY REQD	PART OR IDENTIFYING NO.	NOMENCLATURE OR DESCRIPTION	MATERIAL SPECIFICATION
PARTS LIST				
UNLESS OTHERWISE SPECIFIED: DIMENSIONS ARE IN INCHES. TOLERANCES ARE:		CONTRACT NO.		
FRACTIONS DECIMALS HOLES ANGLES		APPROVALS DATE		
± 1/64 .XX ±.03 .XX ±.03 ± 0°30'		DRAWN J. LACBAIN 3/15/04		
MACHINED FINISH: 32 RMS		CHECKED W. QUINONES 4/1/04		
REMOVE BURRS .005 MAX		MECHANICAL ENGR		
MATERIAL		ELECTRICAL ENGR		
ALUMINUM 6061-T6		PRODUCT ASSURANCE		
FINISH ELECTROLESS NICKEL		G. TUFTS 4/1/04		
PER MIL-C-26074		PLANNING J. HARRISON 4/1/04		
CLASS 4 GRADE B		MANUFACTURING G. WASYLEWSKI 4/1/04		
.0005 ± .0001 MAX		SIZE CAGE CODE DWG. NO. REV.		
NEXT ASSY USED ON		B 3DJK4 30017 A		
APPLICATION DO NOT SCALE DRAWING		SCALE 1/1 SHEET 1 OF 1		



CIAO WIRELESS
4000 VIA PESCADOR
CAMARILLO CA, 93012

K4 ICD AMPLIFIER

30017
REV A
DWG NO.