

KR Electronics, Inc.

General Description

KR Electronics part number 2961 is a 300 MHz group delay equalized lowpass filter. Other frequencies are available. Please consult the factory.

Features

- 300 MHz minimum 1 dB BW
- Sharp Transition to the Stopband
- Group Delay Equalized
- 50 Ω Source and Load
- Surface Mount

Typical Performance

Overall Response (10 dB/div)

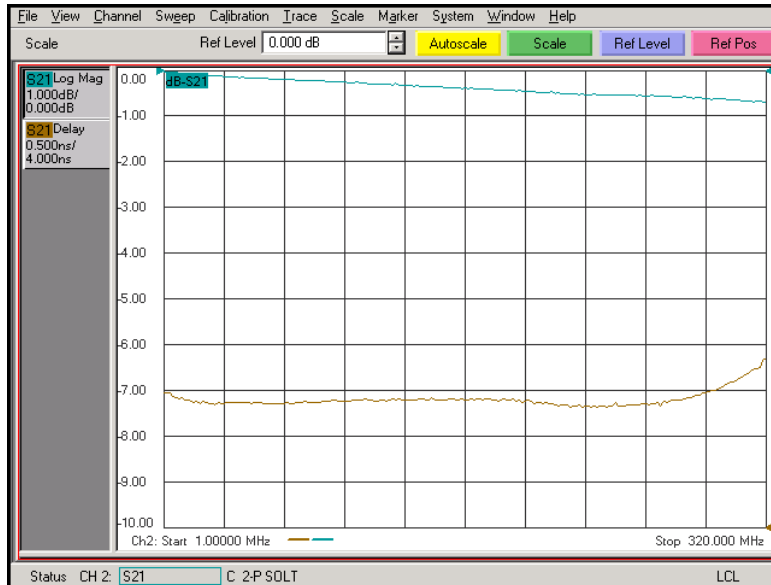


KR Electronics, Inc.
91 Avenel Street
Avenel, NJ 07001

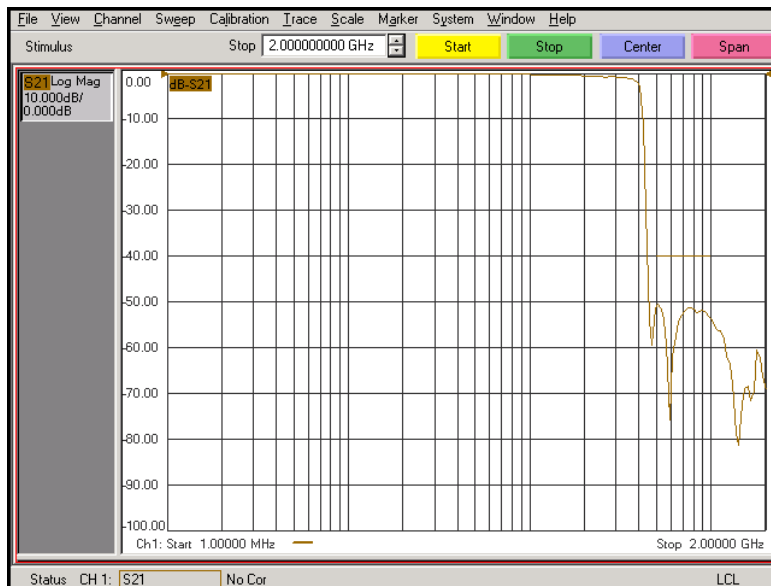
Web www.krfilters.com
Email sales@krfilters.com
Phone (732) 636-1900
Fax (732) 636-1982

Typical Performance

Passband Amplitude & Group Delay (1 dB/div & 0.5 nsec/div)



Overall Response (10 dB/div)

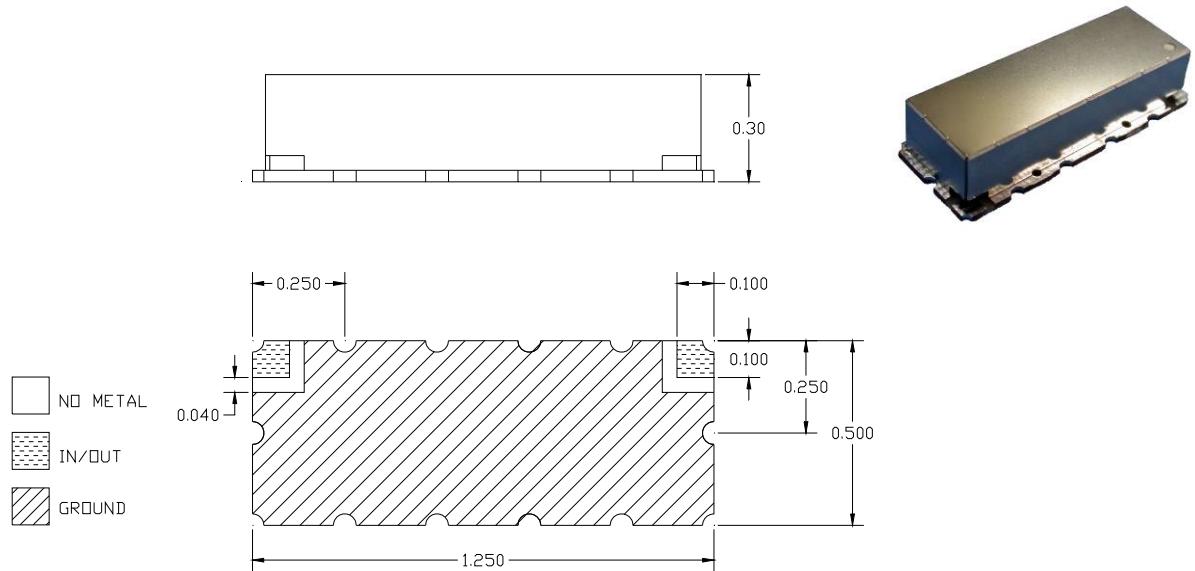


KR Electronics 2961

Specifications

Parameter	Specification
Filter type	Lowpass
End of Passband < 1 dB	300 MHz
Rejection 500 MHz to 1 GHz	40 dB min
Group Delay Variation to 280 MHz	0.20 nsec max
Source and Load	50 Ω

Physical Dimensions



Notes:

1. Surface mount package
2. Dimensions in inches
3. Max reflow temperature 209° C for 10 sec
4. If boards are cleaned after installation units must be completely dried