

Precision 75 Ohm N Female to F Male Adapter



TECHNICAL DATA SHEET

PE9739

Precision 75 Ohm N Female to F Male Adapter
Configuration

| | |
|----------------|-----------|
| Connector 1 | N Female |
| Impedance 1 | 75 Ohms |
| Connector 2 | F Male |
| Impedance 2 | 75 Ohms |
| Adapter Design | Precision |
| Body Style | Straight |

Electrical Specifications

| | |
|----------------------|---------|
| Frequency Range, GHz | DC to 3 |
| Maximum VSWR | 1.3:1 |

Frequency 1

| | |
|----------------|---------|
| Frequency, GHz | DC to 2 |
| VSWR | 1.15:1 |

Mechanical Specifications
Temperature

| | |
|------------------------|-------------|
| Operating Range, deg C | -65 to +125 |
|------------------------|-------------|

Size

| | |
|---------------------|---------------|
| Length, in [mm] | 1.75 [44.45] |
| Width/Dia., in [mm] | 0.625 [15.88] |

Connector 1

| | |
|--------------------------------------|----------------------------|
| Type | N Female |
| Inner Conductor Material and Plating | Beryllium Copper, Gold |
| Body Material and Plating | Passivated Stainless Steel |
| Dielectric Type | PTFE |

Connector 2

| | |
|--------------------------------------|--------------------------------|
| Type | F Male |
| Inner Conductor Material and Plating | Brass/Beryllium Copper, Nickel |
| Coupling Nut Material and Plating | Brass, Nickel |
| Hex Size, in. | 7/16 |
| Torque, in-lbs [Nm] | 16 [1.81] |
| Body Material and Plating | Brass, Nickel |
| Dielectric Type | PTFE |

Compliance Certifications (visit www.Pasternack.com for current document)

| | |
|----------------|-----|
| RoHS Compliant | Yes |
|----------------|-----|

Click the following link (or enter part number in "SEARCH" on website) to obtain additional part information including price, inventory and certifications: [Precision 75 Ohm N Female to F Male Adapter PE9739](#)

The information contained in this document is accurate to the best of our knowledge and representative of the part described herein. It may be necessary to make modifications to the part and/or the documentation of the part, in order to implement improvements. Pasternack reserves the right to make such changes as required. Unless otherwise stated, all specifications are nominal.

Precision 75 Ohm N Female to F Male Adapter



TECHNICAL DATA SHEET

PE9739

Plotted and Other Data

Notes:

Values at 25 °C, sea level

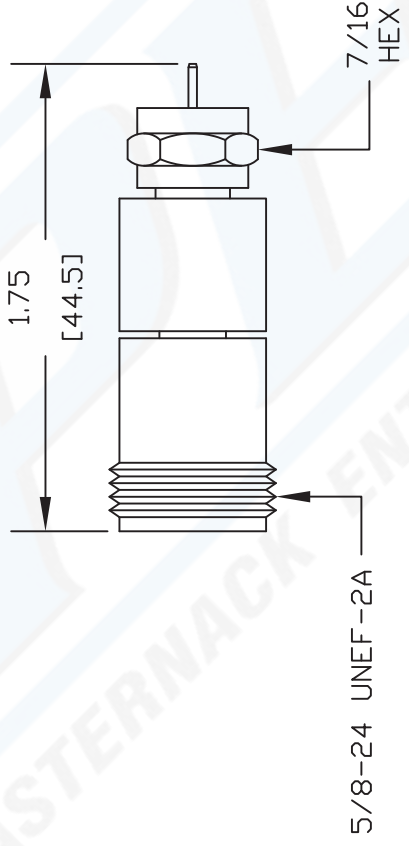
URL: <http://www.pasternack.com/n-female-f-male-straight-adapter-pe9739-p.aspx>

Precision 75 Ohm N Female to F Male Adapter from Pasternack Enterprises has same day shipment for domestic and International orders. Our RF, microwave and fiber optic products maintain a 99% availability and are part of the broadest selection in the industry.

The information contained in this document is accurate to the best of our knowledge and representative of the part described herein. It may be necessary to make modifications to the part and/or the documentation of the part, in order to implement improvements. Pasternack reserves the right to make such changes as required. Unless otherwise stated, all specifications are nominal.

PE9739 CAD Drawing

Precision 75 Ohm N Female to F Male Adapter



NOTES:
1. UNLESS OTHERWISE SPECIFIED ALL DIMENSIONS ARE NOMINAL.
2. ALL SPECIFICATIONS ARE SUBJECT TO CHANGE WITHOUT NOTICE AT ANY TIME.
3. DIMENSIONS ARE IN INCHES [mm].

DWG TITLE
PE9739

PASTERNAK ENTERPRISES, INC.
PO BOX 16759, IRVINE, CA 92623
PHONE (949) 261-1920 FAX (949) 261-7451
WEB ADDRESS: www.pasternack.com
E-MAIL ADDRESS: sales@pasternack.com
COAXIAL & FIBER OPTICS



| | | | | | |
|--------|----------------|-----------------|-----------|--------|-----|
| REV. - | FSCM NO. 53919 | CAD FILE 050703 | SCALE N/A | SIZE A | 127 |
|--------|----------------|-----------------|-----------|--------|-----|