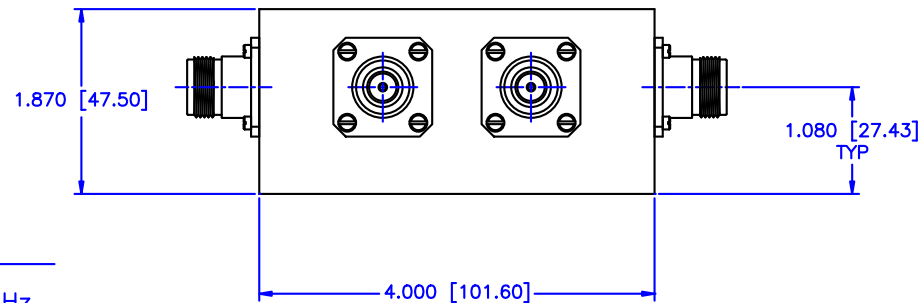
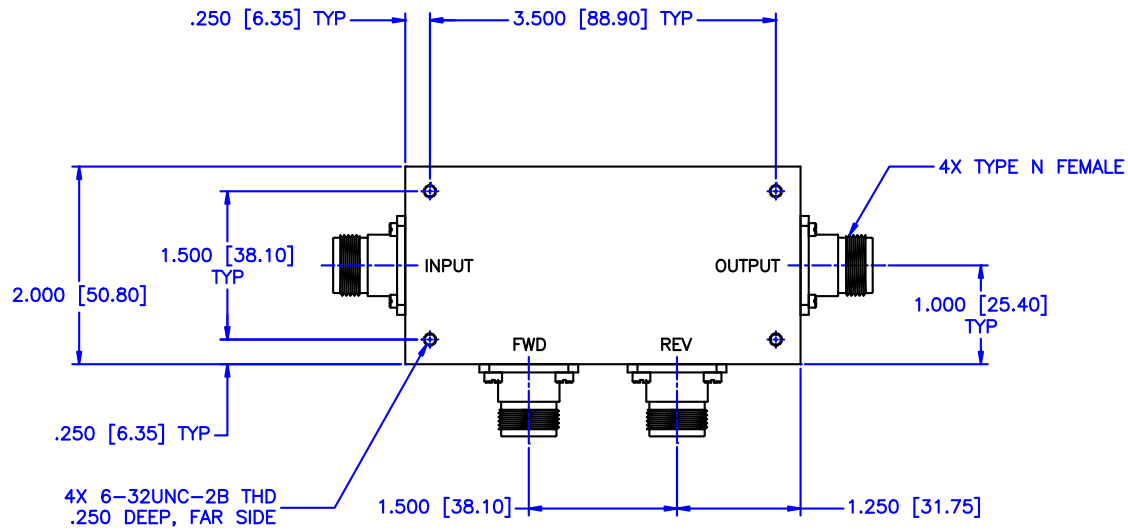


REVISIONS				
ZONE	REV	DESCRIPTION	DATE	APPROVED



SPECIFICATIONS:

- FREQUENCY RANGE: 10-100 MHz
- COUPLING: 30dB
- FLATNESS: ± 0.5 dB
- INSERTION LOSS: 0.25dB Max.
- DIRECTIVITY: 20dB Min.
- VSWR PRIME LINE: 1.10:1 Max.
- POWER: 100 Watts CW

MATERIAL:		MCLI MICROWAVE COMMUNICATIONS LABORATORIES INC. 7255 30TH AVE. N. SAINT PETERSBURG, FL 33710 TEL: (727) 344-6254 FAX: (727) 381-6116 http://WWW.MCLI.COM	SCALE: N/A
			SHEET: N/A
DRAWN: Paiboon Luekhamhan		DATE: 12-22-2010	DRAWING TITLE: HIGH POWER DUAL DIRECTIONAL COUPLER PART NO.: HDL-46-30
APPROVED: T. Nguyen		DATE: 12-22-2010	
UNLESS OTHERWISE SPECIFIED: TOLERANCES IN (INCHES) OR [mm] (MILLIMETERS) FRACTIONS: $\pm 1/64$ DECIMALS: $\pm 0.01 \pm 0.005$ ANGLE: $\pm 1/2^\circ$		CAGE CODE: OD2L5 SIZE: C REV: N/A DWG NO.: 85169	DO NOT SCALE THE DRAWING
PROPRIETARY NOTICE: THE INFORMATION IN THIS DRAWING IS PROPRIETARY AND SHALL NOT BE USED OR DISCLOSED WITHOUT WRITTEN PERMISSION FROM MICROWAVE COMMUNICATIONS LABORATORIES INC. (MCLI)			