



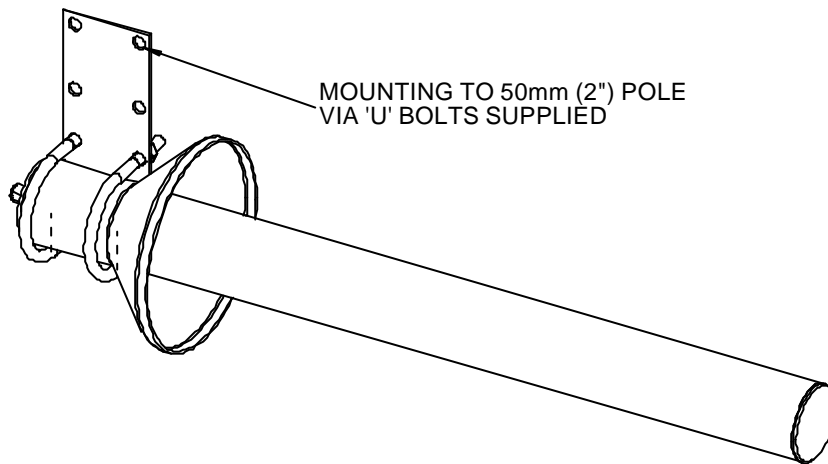
# EUROPEAN ANTENNAS

Excellence through design  
Creative in concept

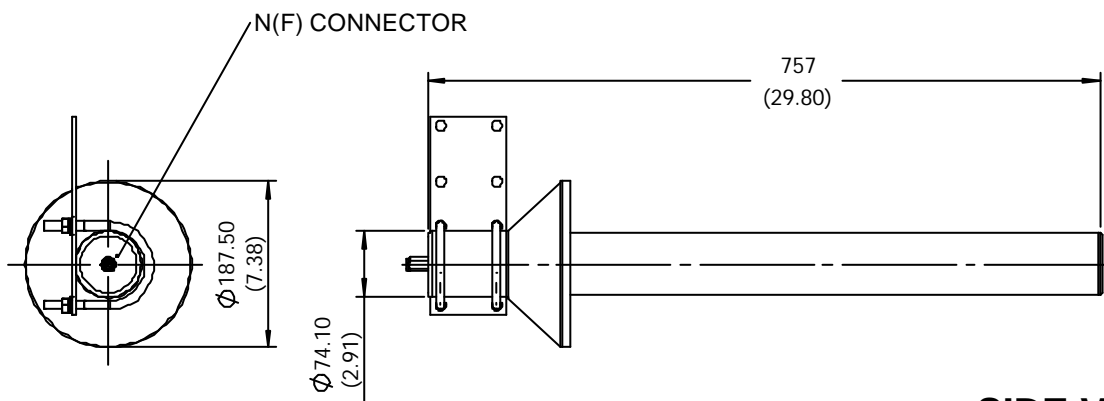
## HELICAL ANTENNA

### MODEL: AMHP13-13L/909

<b>FREQUENCY:</b>	1.0 - 1.5 GHz	<b>GAIN:</b>	13 dBiC
<b>POLARISATION:</b>	L.H.Circular	<b>BEAMWIDTH:</b>	40° (Az) x 40° (El)
<b>AXIAL RATIO:</b>	2 dB	<b>VSWR:</b>	1.5:1
<b>POWER RATING:</b>	20 W	<b>FRONT TO BACK:</b>	20 dB
<b>TEMPERATURE:</b>	-20°C to +50°C	<b>MASS:</b>	2 Kg / 4.4 lbs
<b>FINISH:</b>	Glass Fibre / Matt Black	<b>WIND LOADING:</b>	9.0 Kg / 19.8 lbs @ 100 mph



**ISOMETRIC VIEW**



**END VIEW**

**SIDE VIEW**

**DIMENSIONS: mm (inches)**

**GA: 0909-1 Issued:041201**

EUROPEAN ANTENNAS LTD.

Tel: +44 (0)1638 731888  
Fax: +44 (0)1638 731999

LAMBDA HOUSE, CHEVELEY  
NEWMARKET, SUFFOLK, CB8 9RG,  
UNITED KINGDOM

E-Mail: [sales@european-antennas.co.uk](mailto:sales@european-antennas.co.uk)  
Website: [www.european-antennas.co.uk](http://www.european-antennas.co.uk)