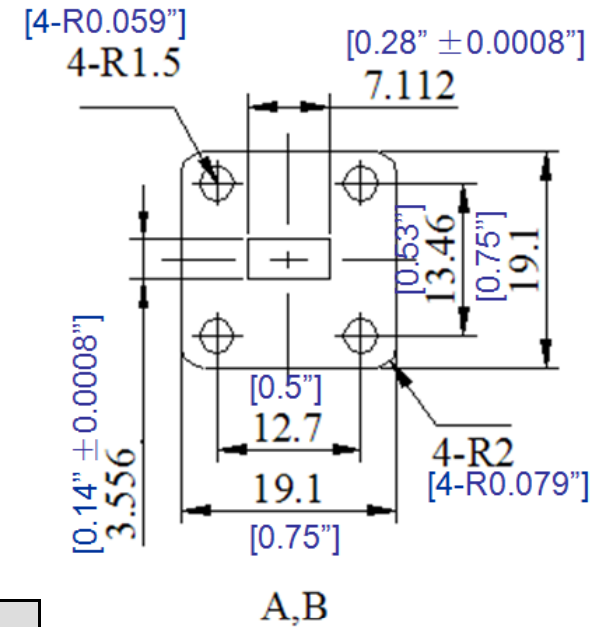
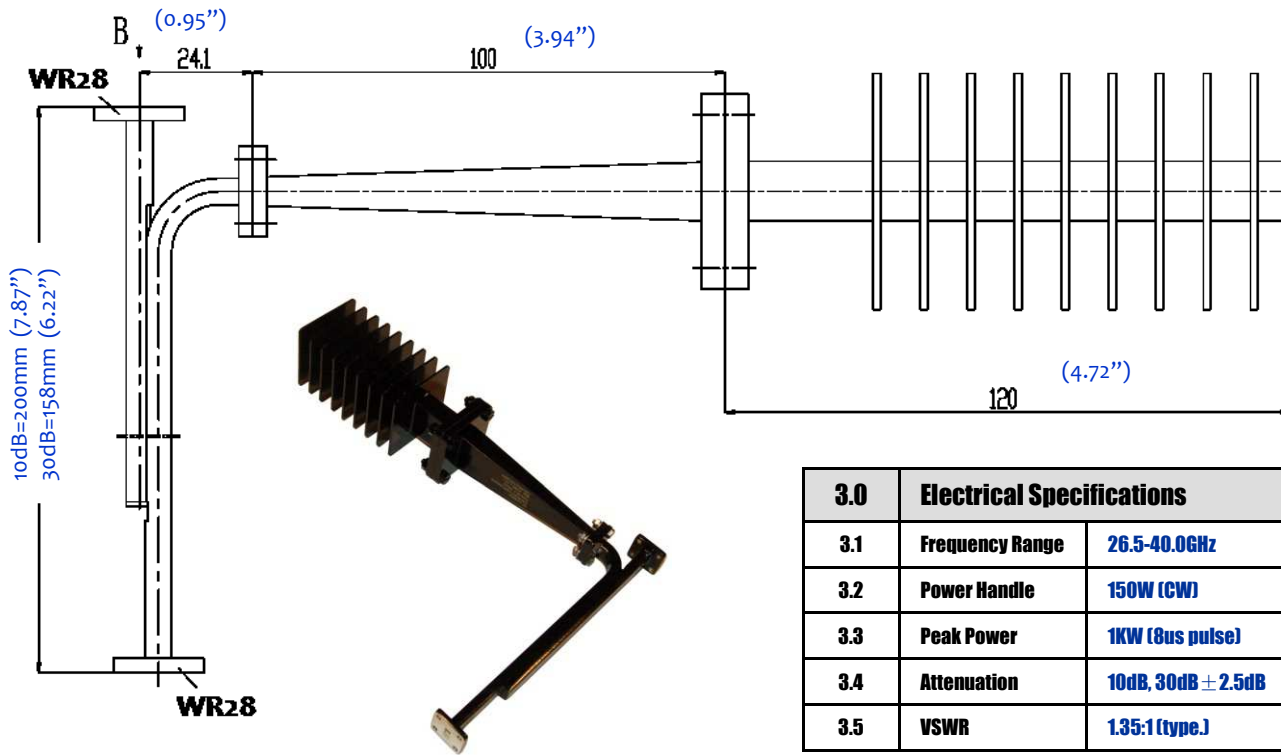



# WAVEGUIDE WR28 150W ATTENUATOR- RFWAT28W150



3.0	Electrical Specifications	
3.1	Frequency Range	26.5-40.0GHz
3.2	Power Handle	150W (CW)
3.3	Peak Power	1KW (8us pulse)
3.4	Attenuation	10dB, 30dB ± 2.5dB
3.5	VSWR	1.35:1 (type.)

2.0	Environment specifications	
2.1	Operation Temp.	-40°C~+85°C
2.2	Storage Temp.	-60°C~+125°C
2.3	Altitude	45000 ft
2.4	Vibration	10g rms (15 degree 2KHz)
2.5	Humidity	100% RH at 35c, 95%RH at 40 deg c
2.6	Shock	20G for 11msc

1.0	Mechanical Specifications	
1.1	Waveguide type	Rectangular Waveguide WR28
1.2	Flange type	CPRF, COVER, CHOKE available
1.3	Flange Holes	Through
1.4	Basis-material	Alloyed Cuprum 0.125kg
1.5	Internal Body Finish	Silver Plated chromate or conversion
1.6	External Body Finish	Body painted with gray/black epoxy enamel

PAGE 1 OF 1	DATE	Dec 14th 2004
<small>PROPRIETARY INFORMATION THE INFORMATION CONTAINED IN THIS DOCUMENT IS THE PROPERTY OF RF-LAMBDA EXCEPT AS SPECIFICALLY AUTHORIZED IN WRITING BY RF-LAMBDA. THE HOLDER OF THIS DOCUMENT SHALL KEEP ALL INFORMATION CONTAINED HEREIN CONFIDENTIAL AND SHALL PROTECT SAME IN THE WHOLE OR IN PART FROM DISCLOSURE AND DISSEMINATION OF ALL THIRD PARTIES AND SHALL USE SAME FOR OPERATING AND MAINTENANCE PURPOSES ONLY</small>		DESIGN <b>RFWGBP</b>
 <b>RFWAT28W150 WAVEGUIDE ATTENUATOR</b>		RF-LAMBDA <b>RFPG</b>
www.rflambda.com		CAD MODEL REVISION <b>02</b>
		ASSEMBLY REVISION <b>VSD#1</b>
		ASSEMBLY NAME <b>RFLVR02</b>
		DRAWING NUMBER <b>002-1</b>
<b>RF-LAMBDA</b>	SIZE IT	SHEETS 1 OF 1