



Mini UHF Male to FME Jack Adapter

TECHNICAL DATA SHEET

PE9709

Mini UHF Male to FME Jack Adapter

Configuration

Connector 1	Mini UHF Male
Impedance 1	50 Ohms
Connector 2	FME Jack
Impedance 2	50 Ohms
Adapter Design	Standard
Body Style	Straight

Mechanical Specifications

Size

Length, in [mm]	1.024 [26.01]
Width/Dia., in [mm]	0.453 [11.51]

Connector 1

Type	Mini UHF Male
Inner Conductor Material and Plating	Brass, Gold
Inner Conductor Plating Specification	30µ in. minimum
Coupling Nut Material and Plating	Brass, Nickel
Coupling Nut Plating Specification	100µ in. minimum
Body Material and Plating	Brass, Nickel
Body Plating Specification	100µ in. minimum
Dielectric Type	Teflon

Connector 2

Type	FME Jack
Inner Conductor Material and Plating	Brass, Gold
Inner Conductor Plating Specification	30µ in. minimum
Body Material and Plating	Brass, Nickel
Body Plating Specification	100µ in. minimum
Dielectric Type	Teflon

Compliance Certifications (visit www.Pasternack.com for current document)

RoHS Compliant	Yes
----------------	-----

Click the following link (or enter part number in "SEARCH" on website) to obtain additional part information including price, inventory and certifications: [Mini UHF Male to FME Jack Adapter PE9709](#)

The information contained in this document is accurate to the best of our knowledge and representative of the part described herein. It may be necessary to make modifications to the part and/or the documentation of the part, in order to implement improvements. Pasternack reserves the right to make such changes as required. Unless otherwise stated, all specifications are nominal.



Mini UHF Male to FME Jack Adapter

TECHNICAL DATA SHEET

PE9709

Plotted and Other Data

Notes:

Values at 25 °C, sea level

Mini UHF Male to FME Jack Adapter from Pasternack Enterprises has same day shipment for domestic and International orders. Our RF, microwave and fiber optic products maintain a 99% availability and are part of the broadest selection in the industry.

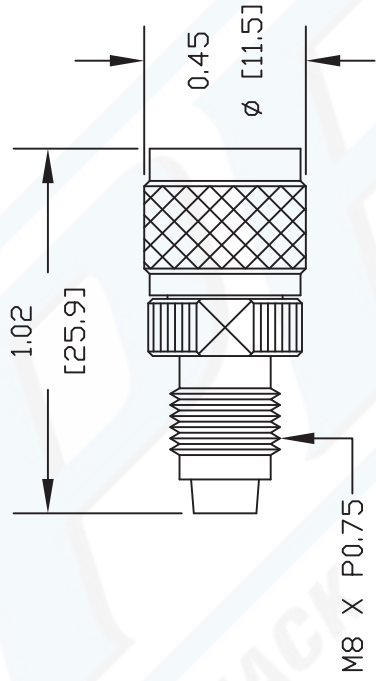
Click the following link (or enter part number in "SEARCH" on website) to obtain additional part information including price, inventory and certifications: [Mini UHF Male to FME Jack Adapter PE9709](#)

URL: <http://www.pasternack.com/mini-uhf-male-fme-jack-straight-adapter-pe9709-p.aspx>

The information contained in this document is accurate to the best of our knowledge and representative of the part described herein. It may be necessary to make modifications to the part and/or the documentation of the part, in order to implement improvements. Pasternack reserves the right to make such changes as required. Unless otherwise stated, all specifications are nominal.

PE9709 CAD Drawing

Mini UHF Male to FME Jack Adapter



DWG TITLE

PE9709

- NOTES:
1. UNLESS OTHERWISE SPECIFIED ALL DIMENSIONS ARE NOMINAL.
 2. ALL SPECIFICATIONS ARE SUBJECT TO CHANGE WITHOUT NOTICE AT ANY TIME.
 3. DIMENSIONS ARE IN INCHES [mm].

PASTERNAK ENTERPRISES, INC.
 P.O. BOX 16759, IRVINE, CA 92623
 PHONE (949) 261-1920 FAX (949) 261-7451
 WEB ADDRESS: www.pasternack.com
 E-MAIL ADDRESS: sales@pasternack.com
COAXIAL & FIBER OPTICS



REV. -

FSCM NO. 53919

CAD FILE 080102

SCALE N/A

SIZE A

127