

ATTENUATORS

SMA, up to 18 GHz, 50 Watts

SPECIFICATIONS:

Models: XXB50W-XX, XXB50W-XXF, XXB50W-XXM

RoHS
Compliant

AEROFLEX
A passion for performance.

Electrical:

Frequency Range _____ DC - 18.0 GHz
Standard Freq. Values _____ 6 & 18 GHz
Standard dB Values* _____ 3, 6, 10, 20, 30 & 40 dB

Attenuation Accuracy	DC - 6 GHz	6 - 12.4 GHz	12.4 - 18 GHz
3, & 6 dB	±0.75 dB	±0.75 dB	±0.75 dB
10 & 20 dB	±0.75 dB	±0.75 dB	±1.00 dB
30 dB	±0.75 dB	±1.00 dB	±1.25 dB
40 dB	±1.00 dB	±1.25 dB	±1.50 dB

VSWR

DC - 6 GHz _____ 1.25:1 Max.
6 - 12.4 GHz _____ 1.35:1 Max.
12.4 - 18 GHz _____ 1.45:1 Max.

Input Power _____ 50 Watts Avg. @ 25°C
Derated Linearly to 10 Watts @ +125°C

Peak Power _____ 500 Watts Max.
(5µSec Pulse, .05% Duty Cycle)

Impedance _____ 50 Ohms

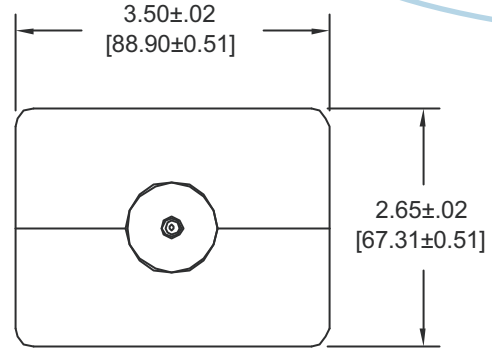
Operating Temp Range _____ -65°C to +125°C

Mechanical:

SMA Connectors _____ Passivated Stainless Steel
Mates with MIL-STD-348

Conductors _____ Gold Plated Beryllium Copper

Housing _____ Anodized Aluminum



END VIEW
TYPICAL

Units must be Mounted in such a way as to Allow for Free Air Flow Around fins to Insure Performance

Note: Units are Unidirectional, Therefore Input Connector MUST be Specified & will be Indicated on Unit

Model Number: **XXB50W-XX**

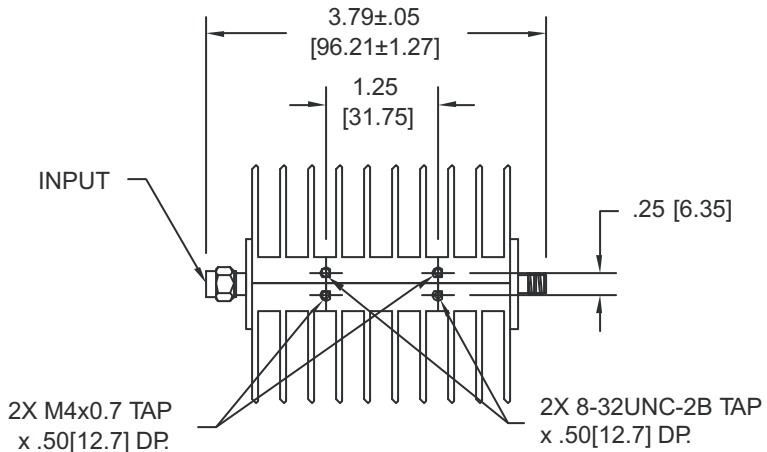
Male/Female Connectors
Length: 3.79 ±.05 [96.1 ±1.3]
Pictured

Model Number: **XXB50W-XXF**

Female/Female Connectors
Length: 3.66 ±.05 [92.8 ±1.3]

Model Number: **XXB50W-XXM**

Male/Male Connectors
Length: 3.92 ±.05 [99.4 ±1.3]



HOW TO ORDER:

Model Number: **XXB50W-XXY**

Freq. Range
6 = DC - 6 GHz
18 = DC - 18 GHz

dB Value

Connector Configuration
= Male/Female (Male input)
F = Fem/Fem
M = Male/Male
FM = Female/Male (Female Input)

Ordering Examples:

Model Number: **18B50W-20**
DC - 18 GHz; 20 dB; SMA - Male/Fem (Male Input)

Model Number: **6B50W-02F**
DC - 6 GHz; 2 dB; SMA - Fem/Fem

Model Number: **6B50W-10FM**
DC - 6 GHz; 10 dB; SMA - Fem/Male (Female Input)

Note: Dimensions in Brackets are Expressed in Millimeters and are for Reference Only.

Design specifications are subject to change without notice.

Contact factory for technical specifications before purchasing or use.

XXB50W-XX: REV E (M)



Aeroflex / Inmet, Inc. • 300 Dino Drive, Ann Arbor, MI 48103 • U.S.A.
888-244-6638 or 734-426-5553 • FAX: 734-426-5557
www.aeroflex.com/inmet • inmet@aeroflex.com